



PRODUCT GUIDE **2021**



SURGICAL CHAIRS & TABLES FOR EYE- & MICROSURGERY

ENJOY QUALITY AND DESIGN

E

About us



Christian Scherrieble:

"We build operating tables and surgical chairs for physicians and patients with a keen understanding of quality and outstanding comfort!"

Jürgen Scherrieble:

"We develop products for the most brilliant machine there is – the human body."



We started out with a vision - "Designed from the practice - for the practice"

For more than 25 years, **UFSK-OSYS** has been developing highly specialized, mobile treatment and surgeon's chairs for ophthalmology - always in close collaboration with renowned ophthalmic surgeons. We believe in never losing sight of what really matters, while keeping a keen eye on the latest advances in medicine. Our core competency: the precise & safe positioning of both patient and surgeon for eye surgeries and microsurgical procedures in the head area. To address this challenge, we build tailor-made work platforms offering the latest in technical and functional sophistication while making your OR management super efficient.

The "Mobile Table Rotation" is our signature workflow concept designed to handle rapid surgery cycles with high patient turnover. This concept has been one of our international bestsellers for years, especially in the field of ophthalmology! Thanks to state-of-the-art materials and sophisticated technical details, our equipment is durable and easy to maneuver at the same time while helping to make your "surgical rotation schedules" efficient and back-friendly. **UFSK-OSYS** treatment and surgeon's chairs - "Made in Germany" - are used all over the world and are supported by a network of qualified **UFSK-OSYS** service partners around the globe.

We have good reason to be proud of this market presence, which is the fruit of our long-standing quality policy and customer-focused corporate philosophy. Whether in development, design & product approval or production, sales, logistics & after-sales - we believe in adding our own design contributions to all areas, and we believe in optimizing, communication and confidence building.

We believe that this is the way to create the best and most exciting products - the result of good cooperation & mutual inspiration!

Come and discover our latest ideas!

Content



About us	2
Facts	6
Corporate philosophy	8
UFSK-OSYS quality	10

Surgeon's chairs

<i>premiumLine</i>	76
<i>surgiForce</i>	78
<i>surgiForce light</i>	82



Treatment chairs

<i>premiumLine</i>	12
<i>eyeForce</i>	14
<i>eyeForce + e-drive</i>	18



<i>performanceLine</i>	24
<i>500 XLE</i>	26
<i>500 XLE comfort</i>	30



<i>performanceLine</i>	88
<i>surgiTrend</i>	90
<i>surgiLine</i>	92



Assistant's chairs

	96
<i>assistTrend</i>	98
<i>assistPro</i>	99
<i>easyPro</i>	100
<i>assistLine</i>	101



Treatment table

<i>functionalClass</i>	42		
<i>500 bariatric</i>	36	<i>500 XLS</i>	44
		<i>500 ECO</i>	50
		<i>400 XL</i>	56



Transport- & relaxing chairs

<i>motionLine</i>	60
<i>motionLine-E</i>	62



Instrument table

<i>supportLine</i>	66
<i>supportLine plus</i>	67



Disposables

	68
Desinfection wipes - <i>stayClean</i> wipes	70
Cover drapes - <i>stayClean</i>	72
Hand lotion - <i>staySoft</i>	74
Paper roll - <i>stayClean</i> roll	75

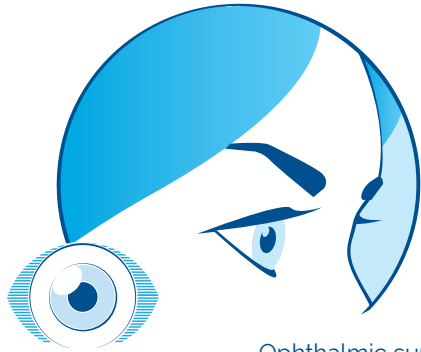


Classifications / colour cards

Classifications	104
Colour cards	106



Facts



Ophthalmic surgery

Core competence

Ophthalmology

For over 25 years now, **UFSK-OSYS** has been developing its products in close cooperation with internationally renowned ophthalmic surgeons, true to the motto:

"Designed from the practice - for the practice"

exclusive mobile eye surgery and surgeon's chairs. Considering the very high patient turnover in this medical field and the global use of our products, we want to offer our customers a service friendly technology designed to state-of-the-art quality standards.

Every minute counts



Less and less time for more and more patients? Tight calculations and falling return on investment? Clinic-friendly rotation systems are a big help for cutting down on average surgery times because every minute counts.

3 *UFSK-OSYS operation chairs per OR on average.*

30 *cataract surgeries per day.*

Optimized workflow

While you are operating on a patient, another patient can be prepared while yet another patient can recuperate. Your patient never needs to leave his or her seat. With the simple push of a button, you can easily convert the treatment chair into a surgical table – for patient comfort every step of the way.

9.000 *UFSK-OSYS operating systems worldwide.*

3.000 *UFSK-OSYS equipped operating rooms.*

Further medical specialties



I.V.I. treatment



Neurosurgery



Hand surgery



Implantology
Oral surgery
Maxillofacial surgery



Aesthetic surgery
Plastic surgery
Hair transplantation



ENT surgery

5.000.000 *operating cycles on UFSK-OSYS operating systems per year.*

Surgery according to the principle of rotation

Thanks to the mobility of **UFSK-OSYS** treatment chairs, patients can be pushed directly from the preparation room into the operating room - without having to get up. After surgery, patients can be taken to the recovery room on the same chair. This quickly frees up your operating theater for the next patient. What better guarantee for a high patient turnover - while saving you time and money!

Preoperative Preparation

Headrest, backrest, seat surface and footrest are infinitely adjustable via electric motors - at the touch of a button - allowing you to immediately create the perfect surgery conditions for surgeon and patient alike - without losing unnecessary time.

The perfect Surgical Position

Utilizing the chair's memory function, a surgeon can retrieve his or her ideal patient position at the push of a button. Total ergonomic design ensures outstanding comfort - before, during and after a procedure.

Innovative Patient Transport

The "intelligent" chassis ensures effortless patient transport even through narrow passages and on longer routes.

Prepare, Operate, Recover on one Chair.

MOBILE TABLE ROTATION

Simple and Secure Access

The low access and sitting height support even physically handicapped patients while getting into the chair.

Comfortable and Convenient Exit

The chair automatically adjusts to the exit position allowing patients to depart easily and safely.

Enhanced Postoperative Relaxation

From the operating room directly to the wake up phase, allow your patients to start recuperating right away in an anatomically correct relaxation position which is initiated at the touch of a button - without need of first shifting or relocating the patient.



Corporate philosophy



Innovations

Intelligent solutions for your workplace

In constant search for perfection, we specify innovative details in our designs and functionality of our products. For even more

- mobility
- ease of use
- comfort in seating and reclining
- corporate healthcare



Know-how and precision

Intelligent design that promotes mobility

Our highlights



Battery technology

usage, independent from electricity supply - powerful & eco friendly



e-drive

The electronic pushing aid, easy patient transfer - without much effort!



Memory-position and Auto-Run-function

for frequently used treatment positions - time saving & useful



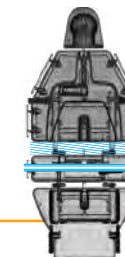
Sterile Controlling

made easy - with pop-up operation, joystick or foot pedal rocker switch



Steering-Guide function

easy steering - without great effort!



SES Surface-Extensions-System

for sliding the patient safely & comfortably into new positions

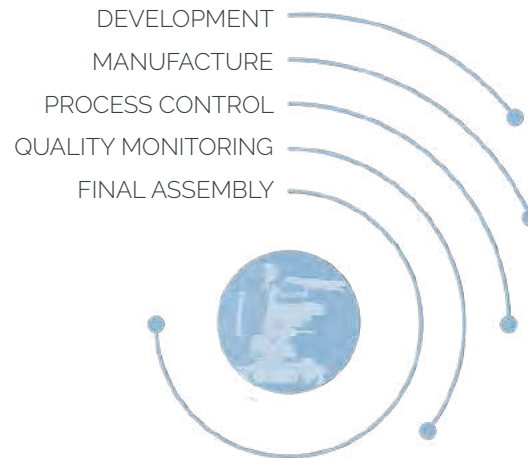
UFSK-OSYS Practical Intelligence

Design and production

Developing and manufacturing treatment and surgeon's chairs of sophisticated and sustainable product quality has been our top priority for years. We believe in your ideas and suggestions as an excellent opportunity for continuously improving our products - to give you the best possible equipment to work with.

We design and build our products in small series for maximum quality monitoring and process control. Every single piece of equipment undergoes 100% check-out!

UFSK-OSYS manufactures more than "tables & chairs". World-class medical & technical equipment. In **premiumLine**, **performanceLine** and **functionalClass** Quality.



Preventive technology

Reduced illness rate and improved productivity

We developed both our treatment chairs and tables and our surgeon's chairs and assistant chairs based on empirical studies - especially for eye and micro surgery. When designing and engineering our products, we paid special attention to the physical strains caused by poor posture in daily work life. Our products make it so easy to prevent back and neck problems, intervertebral disc problems, or fatigue symptoms.

- high-precision armrest systems with featherweight guidance for personalized positioning
- **e-drive** system
- Steering Guide
- Adequate seat inclination
- Lumbar support
- Lightweight chassis



Investment

Investing with foresight into the future

By 2020, we will be expanding our production facilities and capacities at our Regensburg site for the third time. To build up the space and staff resources required for our company's sustained positive development. For even more efficiency and performance!



Patient-oriented perfection in every detail

UFSK-OSYS quality



Quality monitoring

We define "quality" not only by the end product but in all processes, and we are dedicated to continuous improvement. We believe in supreme quality - both in our products and in our services - and we dare you to put us to the test! Our certified QM system meets the requirements of ISO 13485:2016, i.e. it meets the particular performance and safety criteria imposed for the development, manufacture and sale of medical devices.

Beyond complying with the technical product standards (DIN/EN/IEC) and legal conformity requirements (CE, FDA, etc.), we are living these quality standards. Both "before" and "after" a customer's purchase, **UFSK-OSYS's** staff makes sure of giving the best possible support: best-possible choice of products, regulatory support, shipping, and after-sales service.



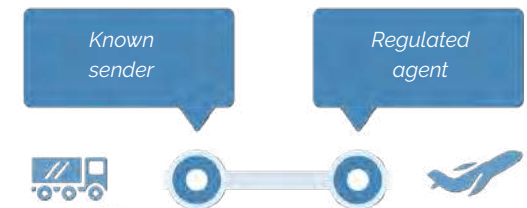
Modern logistics & International sales

Worldwide shipments - fast and reliable

Every year, we dispatch about 1,000 bulk deliveries and 2,000 packages - including urgently needed spare parts, medical accessories - as well as demo, replacement and rental equipment!

One of our guiding principles says that deliveries of goods and services in the medical sector cannot be delayed! Our contribution: well assorted and monitored spare parts management, fast response times plus air freight status as "known sender". As part of the secure supply chain, our shipments are made in compliance with special security precautions and standards.

Urgent deliveries benefit from simplified and accelerated air freight handling processes - from dispatch to loading onto the aircraft - a time edge you will enjoy every time when ordering our medical equipment.



UFSK-OSYS Business Intelligence

Communication as added value

We believe in long-term, fair and successful cooperation with our customers as our number-one priority governing all of our actions.

In addition to our know-how and long-standing experience, we believe especially in identifying your needs and expectations, and to make them a reality - in an exciting and exuberating joint effort. The secret of our success: keeping in touch and keeping up the dialogue.

UFSK-OSYS After-Sale

Service

We are connected to our customers 24/7 via our worldwide distributor network. Don't hesitate to use our customer hotline & online support. We offer regular live webinars, especially for our distributors.

Come and visit us at international trade conferences or at our Regensburg training center.



Headquarter Germany
UFSK-International OSYS GmbH



Our worldwide distributor network meets your demands every single day



"Big enough to be everywhere - small enough to stay in touch"

premiumLine



Our top model

As the fruit of our decades of experience in the field of ophthalmic and microsurgery, we have managed to design the absolute high-end, top quality model. Allow yourself to be swept away by the innovative materials, the visionary shapes, the elegant design and the sophisticated extra functions.

Set new standards in your operating room!

Come and discover the *eyeForce*, and be dazzled by its economy, effectiveness and quality. It is synonymous for top quality.

Optionally equipped with our *e-drive* system, it is the only treatment chair in ophthalmic surgery business that comes with an automatic easy-push aid. It is the *e-drive* that moves, not the human!

Demand the best!

The "Preventive Technology" award reflects uncompromising lightweight construction, outstanding ergonomic operability, comfortable patient positioning and space-saving design. Back diseases of your operating theater staff are now a thing of the past. This is our contribution to effective health & safety in the workplace.



**High end quality for
ophthalmic surgery**

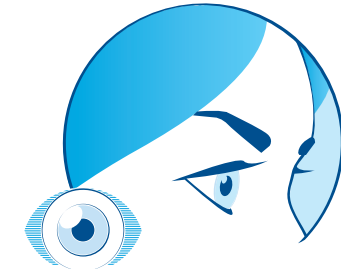
eyeForce

Item No. : 1800 0000



eyeForce + e-drive

Item No.: 1800 0000 + 3316 0000



Ophthalmic surgery



Implantology
Oral surgery
Maxillofacial surgery



Aesthetic surgery
Plastic surgery
Hair transplantation



Hand surgery



The professional world is excited and has honored us with an award!

Our *premiumLine* eyeForce treatment chair was awarded the i-NOVO® Awards Tech Winner Innovation Prize - in recognition of the rational design and extremely high-quality workmanship. We feel honored by this recognition and award.

eyeForce

Item No.: 1800 0000

Our most innovative & modern patient positioning system with auto-run functions - specialized for precision surgery in head area. With *e-drive* easy-push aid, Steering Guide and SES automated extension system - for even more ergonomics & economy at your workplace.

**Trendsetting comfort
and supreme quality**



MED.TEC at its highest level

Double castors

Four fully rotating double-run castors for back-friendly and easy rolling motion.



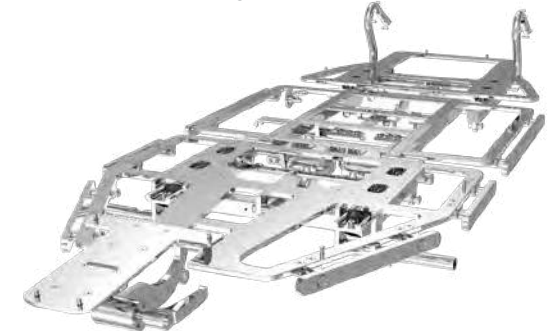
Chassis

Precision lightweight chassis made of cast aluminum.



Frame

Lasercut procedure. Highly stable stainless steel frames. Including standard rails 25 x 10 mm for the attachment of a wide range of accessories.



Precise positioning of the head part

Headrest

3D and longitudinally adjustable headrest element with head molding and neck support for guaranteed safe and correct positioning of the head.



Accessories

Headrest with ball joint and more

Discover additional features and extensive accessories on page 22-23.

Item No.: 3351 1020



Sterile adjustment by surgeon / maximum legroom



Tilttable foot control

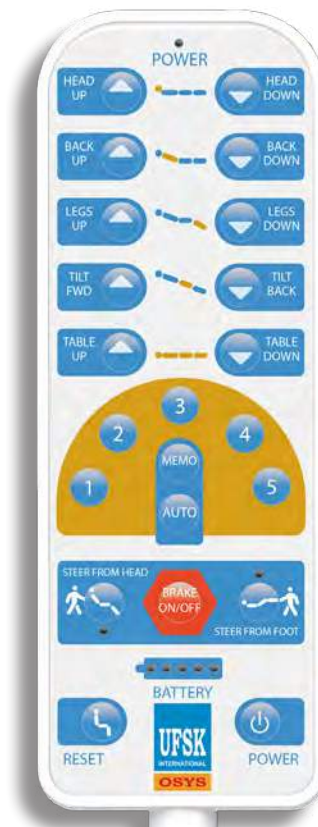
Tilttable foot control via two 4-way joysticks plus activation switch allow sensitive and precise chair adjustment even after the surgeon is already steril. Pushing the pedal lip (by foot) will activate the electronic control and battery mode of the equipment.



Positioning

The *eyeForce* treatment chair is adapted for patient positioning and ergonomic and comfortable patient treatment, in particular for outpatient surgical techniques, and offers versatile adjustment of the head, back, seat and leg sections and overall chair height for patient transport.

- Five freely configurable memory positions
- Reset button
- Auto run function and
- Battery charge indicator



Hand control

Activate memory function / automatic movement

It is possible to save 5 MEMO positions: Set the desired position (hold down the MEMO key until the orange LED lights up). Then press the numeric key of a memory location for a MEMO position - the MEMO position is now saved.



Press and hold "AUTO" until the LED lights orange, then briefly tap on either 1, 2, 3, 4 or 5 to move to the desired position of the surgical bed.

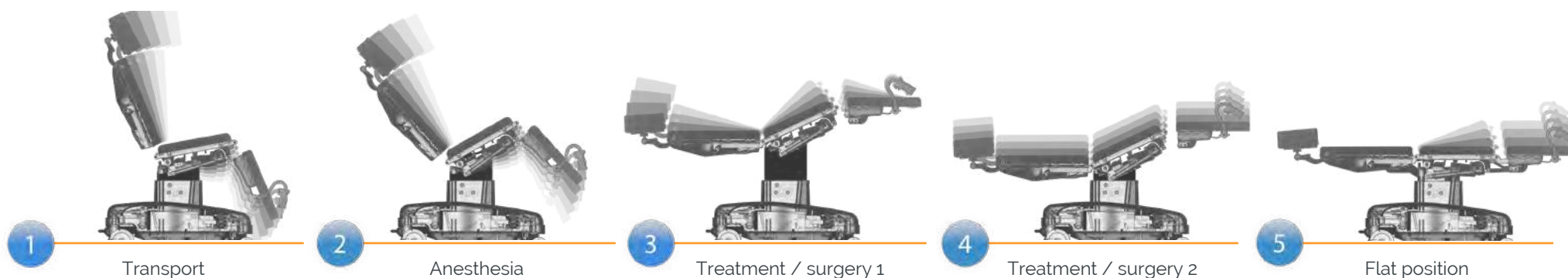


All castors are braked (red)



Positioning by hand control

Standard recommended memo keys



"Steering Guide" maneuvering aid



Operation via push handles and hand keypad

The **eyeForce** treatment chair offers an electronically controlled braking system with "Steering Guide" function. In addition to "free movement" and "brake applied" the treatment chair offers directional guidance as an additional electronic wheel positioning function. This additional function facilitates the controlled maneuvering of the chair by just one person and can be activated from both sides of the chair via the chair handles or optionally via the manual keypad.

Directional guidance is activated (orange)



Directional guidance is deactivated (green)



Pushing from the head direction



Pushing from the foot direction



Surface-Extensions-System "SES" positioning aid

Automated solution for patient positioning

Both the backrest and the legrest segments automatically move 50 mm along with the patient when moving the chair into the reclined or entry position. The "SES" avoids patient repositioning, which would otherwise be necessary, by extending and flexing the individual segments. Returning the leg segment to the entry position reduces the entry height by an additional 50 mm.

Retractable push handles

Manually adjustable push handles on the foot end with automatic return function, for easy patient transfer.

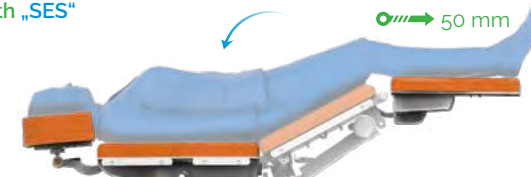


Movement in reclining position

without „SES“



with „SES“



50 mm

Movement in entry position

without „SES“



with „SES“



50 mm



eyeForce + e-drive

Item No. : 1800 0000 + 3316 0000

Powerful yet gentle.

e-drive system for effortless and rapid movement of the chair over long distances. The new optional system consists of a 5th wheel with drive motor. It serves as a pushing aid for easy forward and backward movement – with an extra range of 2 kilometers per battery charge. The system's operation is identical to that of the "Steering Guide" system, via the respective push handles with potentiometer for infinite and precise speed adjustment. It is possible to integrate the system any time at a later date.



The electronic push-aid

Control over push handles

Push handle at the left head/foot end with a rocker switch for moving the treatment chair forward and back.



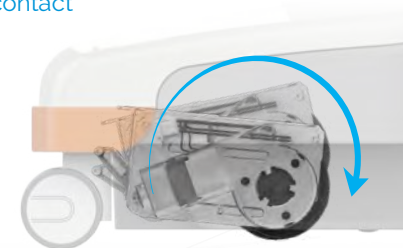
Push handle at the right head/foot end with a potentiometer for speed control.



Low-noise movement/trackless movement

By switching on the fifth electronically drive wheel in the chassis of the chair, the physical labor of the person doing the pushing is noticeably reduced.

- Shock-free transport
- Long-lived design
- Optimum floor contact
- Long range



The ease of pushing - How much force is needed to move 200 kg? - Zero.

Who would have thought this is possible?

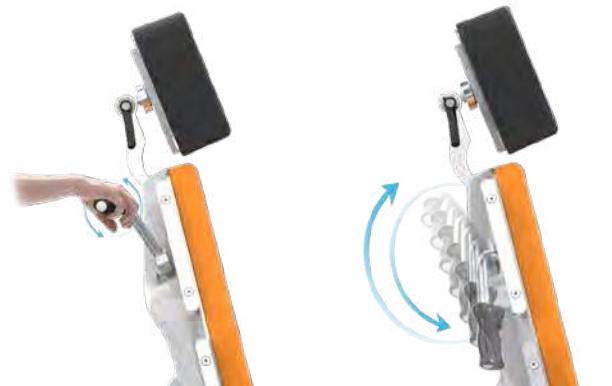
This is how far your staff pushes a load of 300 kilograms per year: approximately 70 meters per surgery round; 1,000 surgeries per year; up to 700 kilometers per year.



More than 1,000 **eyeForce** with **e-drive** are already in use in eye clinics all over the world: up to 700,000 kilometers per year!



Push handles 2.0 - perfect interaction - top-of-the line mobility and ergonomics.



More legroom in the operating theater! Space-saving. Fold-down handles on the head end.



Solid, ergonomically shaped handles at optimized pushing height.



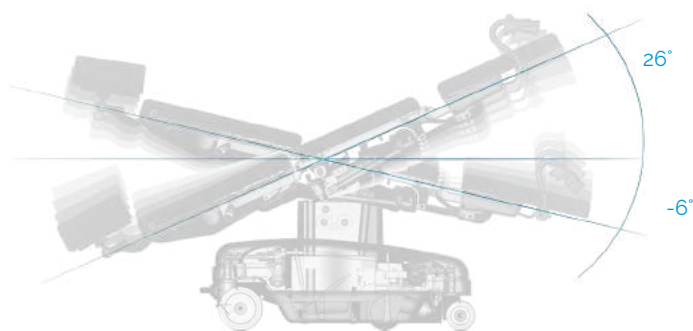
Technical specifications



Chassis

- Outside length 900 mm
- Outside width 662 mm
- Brake system acting on all four castors
- Directionally guided steering ("Steering Guide"), easily activated at the push of a button
- Castor diameter, electr. conductive $\varnothing 150 / 100$ mm
- Foot control element with joystick (total, head, back, Trendelenburg up / down)
- Emergency stop button
- Optional push-aid (**e-drive**)
- With equipotential bonding connection
- Abrasion-resistant corner guards (orange) made of synthetic rubber

Trendelenburg / Reverse Trendelenburg

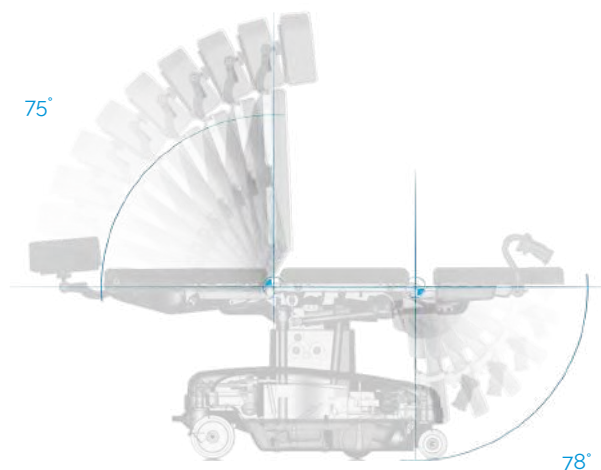


Upper frame

- 4-part support frame (head, back, seat, leg part)
- Removable upholstery 40 mm
- Width of upholstery 650 mm
- Standard stainless steel side rails on both sides 25 x 10 mm
- Width incl. norm rails 700 mm
- Length 1.780 - 1.900 mm

	Angle	Dimensions (L x w)
- Head part	-31° / +22°	255 x 245 mm
- Back part	0° / +75°	540 x 650 mm
- Seat part	-5° / +26°	450 x 650 mm
- Leg part	0° / +78°	510 x 610 mm
- Height adjustment		640 - 900 mm
- Trendelenburg	-26° / +6°	
- Entry height		580 mm
- Legroom		470 - 730 mm

Back / Leg part



Electrical control

Manual keypad

- Memory controller with 10 buttons for head, back, seat, leg part – total up / down; 2 buttons for directionally guided steering, 1 button for electronic brake, 1 easy entry button, memory button, on-off button, auto-run function
- 5 freely programmable memory positions
- Visual battery level indicator

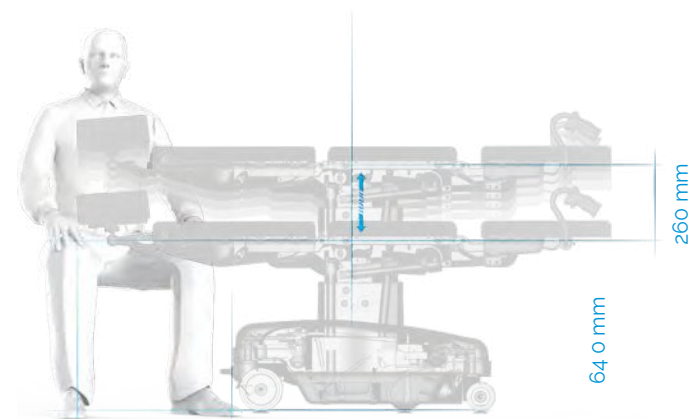
Foot control element

- Foot control element 2 joysticks plus activation switch
- Optional push-aid (**e-drive**)

Electric drives

- Head, back, seat, leg part, total up / down
- Trendelenburg / Reverse Trendelenburg

Height adjustment



Powerful accumulators

- Power supply-independent battery unit with 2 batteries (lead-gel), pollution free, maintenance-free, cadmium-free
 - Quick-exchange battery drawer replaceable without tools
 - Universal battery charger
- Input: 100-240 V
Output: 24 V

Operating time per battery charge

- Measured by operating circle (Prepare-Operate-Recover) 100 OPs
- Quantity of operating circles depends on individual operation

Max. load 250 kg

Weight 163 kg

Subject to technical modifications.

Mains-free operation

Easy recharging of the equipment thanks to charging adapter and integrated battery charger circuit board.



Simple battery replacement

An additional quick-exchange drawer (including batteries) allows you to quickly replace the rechargeable battery packs (back-up-system **Item No.:** 3339 0000).



Equipment protection - cover drape *stayClean*

100 x 73 cm, box á 240 Pieces
4 x 60 Pieces

Item No.: 3016 0001

200 x 73 cm, box á 160 Pieces
4 x 40 Pieces

Item No.: 3034 0014

Page 72



Colour card

Standard colour anthracite **Item No.:** 3037 0052

„Pandoria Plus“
Page 109

„Tundra skai“
Page 108



Accessories



eyeForce

Item No.: 1800 0000



e-drive.
upcharge

Item No.: 3316 0000



Backup battery drawer
incl. batteries

Item No.: 3339 0000



Headrest with ball joint,
360° all-round adjustment,
factory-fitted

Item No.: 3351 1020



Side parts (right+left),
incl. quick-release clamp
for mounting on norm rail,
580 x 200 mm

Item No.: 3351 0050



Side rails (right+left)
swiveling incl. locking,
upholstered

Item No.: 3102 0000



Padded arm board
with universal joint,
incl. mounting clamp

Item No.: 3011 0000



Mounting clamp polished
aluminium, with quick clamp
lever for norm rail 25 x 10 mm
incl. locking device

Item No.: 3090 0000



Flexible surgical drape
support rod (mounting
clamp 3090 0000 not
included)

Item No.: 3032 0000



Flexible surgical drape
support rod with air
connection (mounting clamp
3090 0000 not included)

Item No.: 3033 0000



Hand control holder,
PVC

Item No.: 3018 0009



Hand control holder
for attachment onto an
IV. Pole Ø 25 / 18 mm,
PVC

Item No.: 3027 0006



Head part bumper stainless steel

Item No.: 3028 0000



Wrist rest incl. mounting plate 3013 0000, adjustable

Item No.: 3014 0000



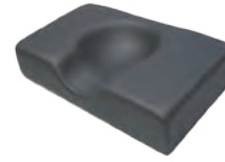
Wrist rest incl. mounting plate 3013 0000, adjustable, tilttable

Item No.: 3014 0005



Mounting plate stainless steel for the wrist rest 3014 0000

Item No.: 3013 0000



Head fixation pillow with hollow (rubins pillow), 41 x 25 cm, height 10 cm

Item No.: 3022 0000



Shoulder parts, right and left

Item No.: 3043 0000



Instrument table 50 x 30 x 1,5 cm, height adjustable, swiveling, detachable, incl. monitor arm

Item No.: 3065 0003



Monitor arm stainless steel, swiveling, incl. extendible I.V. Pole Ø 25 mm

Item No.: 3024 0000



Monitor arm stainless steel, not swiveling, incl. extendible I.V. Pole Ø 25 mm

Item No.: 3334 0000



Wrist secure straps, pair

Item No.: 3015 0000



Bodystrap with Velcro straps 2-piece

Item No.: 3083 0000



Foot protection foil

Item No.: 3328 0000



Foot part extension, attachable, incl. norm rail

Item No.: 3351 0002



Step

Item No.: 3351 0042



I.V. Pole stainless steel Ø 25 / 18 mm, one-hand height-adjustable 1070-1660 mm, 4 hooks, max. 2 kg 84.4 lbs/hook, glass and holder

Item No.: 3068 0000



Half round bolster pillow 60 x 28 x 14cm, cushions knees, PUD-coated

Item No.: 3019 0000



Full round bolster pillow, cushions knees, 50 x 15 cm, PUD-coated

Item No.: 3050 0000



Upholstery incl. integrated knee roll, factory-fitted, upcharge not discountable

Item No.: 3037 0266



Cylinder holder

Item No.: 3072 0001



Instrument table *supportLine* height adjustable 73-98,5 cm

Item No.: 33510026

supportLinePlus

height adjustable 93-118,5 cm

Item No.: 3351 0045



stayClean cover drape for treatment chair, 100 x 73 cm, box à 240 pieces

Item No.: 30160001

200x73 cm, box à 160 pieces

Item No.: 3034 0014

performanceLine

Our classic

It represents proven and time-tested technology in a modern design, it is deliberately low-tech, and it offers an extremely attractive price-performance ratio.

Its chief benefits include space-saving design and outstanding maneuverability coupled with a lean range of easy-to-manage functions.

Do you want flexible use in confined spaces with power-supply independent battery operation?

Then you should go for our classic: The **500 XLE**, **500 XLE comfort** or **500 bariatric**, for optimal combination with our **surgiLine** and **surgiTrend** surgeon's chairs.

performanceLine systems are designed for user satisfaction

Designed for continuous use in serially equipped operating rooms with high patient turnover, the **performanceLine** satisfies every user thanks to its easy handling before, during and after the surgery.

An award-winning "Preventive Technology", the **performanceLine** works hard to protect your surgical staff from back problems, thanks to its lightweight construction and easy maneuverability.



**Less is more -
more benefits**

500 XLE comfort

Item No.: 1500 0006
+ 3037 0080



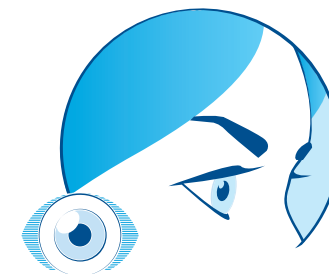
500 XLE

Item No.: 1500 0006



500 bariatric

Item No.: 1500 0002



Ophthalmic surgery



Implantology
Oral surgery
Maxillofacial surgery



Aesthetic surgery
Plastic surgery
Hair transplantation



Hand surgery

500 XLE

Item No. : 1500 0006

The perfect reclining treatment chair for rotation systems in outpatient operating rooms.

**Powerful
and agile**



MED.TEC at its highest level

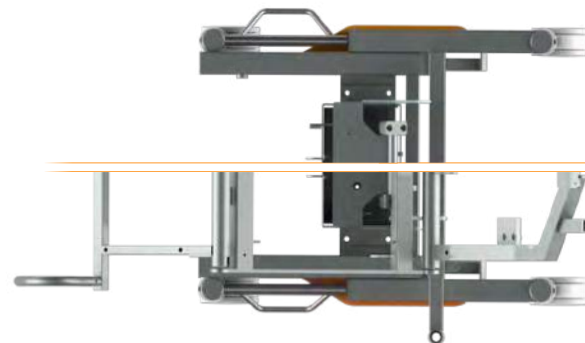
Double castors

Four fully rotating double-run castors for back-friendly, easy rolling motion.



Chassis / frame

Precision steel frame chassis, zinc primed with anthracite textured paint coating.



Chassis cover / upholstery

The mirror-finish plastic cover panels with their scratch-resistant and impact-modified surface finish are extremely hygienic and easy to disinfect.



Precise positioning of the head part

Headrest

3D and longitudinally adjustable headrest element with head molding and neck support for guaranteed safe and correct head positioning.



Accessories

NEW

Headrest with ball joint and more

Discover additional features and extensive accessories on page 34-35.

Item No.: 3351 1021



Sterile adjustment by surgeon / maximum legroom



Flexible reaction by foot control

Removable footswitch for infinite electronic height and head adjustment including reactivation button from the stand-by mode.



PERFORMANCE
LINE

Positioning



The 500 **XLE** treatment chair is designed for ergonomic and comfortable patient positioning and treatment, particularly for outpatient surgical techniques. It offers versatile adjustment of the head, back, seat and leg sections and overall chair height for patient transport.

- Eight freely programmable memory positions
- CPR button
- Reset button
- Auto run function
- Battery charge indicator



Manual control



Multi-functional manual control

- Battery charge indicator
- Reset button
- CPR button
- Auto run function
- 8 free configurable memory positions



Positioning by hand control

Standard recommended memo keys

For additional desired Memo positions, the system features 3 additional numeric keys.



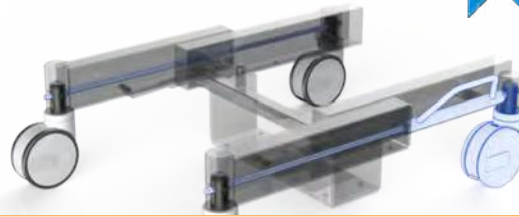
Mechanical maneuvering aid on the chassis



Operation via foot lever on the chassis

Activation of directional guidance

Pushing from the head direction



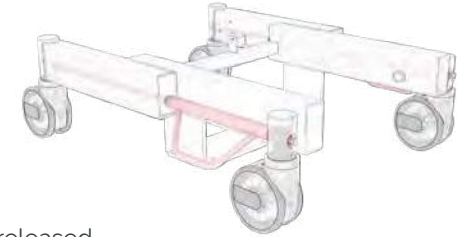
Pushing from the foot direction



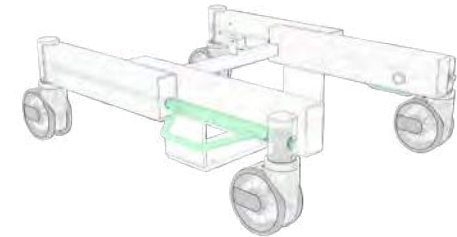
Braking system

Manually adjustable foot lever

Castors are braked



Castors are released, directional guidance is deactivated



Push handles

Detachable push handles on the foot ends for easy maneuvering.



Armrests

Hinged and removeable armrests for easy entry and exit as well as transfer of the patient.



Accessories

Additional handles / shoulder parts and more

Discover additional features and extensive accessories on page 33-34.



500 XLE comfort

Item No. : 1500 0006
+ 3037 0080

Our 500 XLE with extra thick upholstery, integrated knee support cushion and flattened neck area - for extra reclining comfort.

**Outstanding comfort,
particular flexibility.**



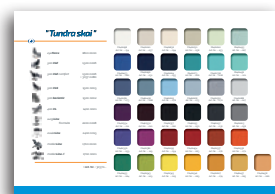
Upholstery

Comfort

Thick comfort upholstery and integrated knee support cushion, individually positionable to suit every patient's body height. The treatment chair featuring comfort upholstery is particularly well suited for longer surgical procedures (e.g. retina surgery).



Available in a wide variety of colours.
Please refer to page 108 for our
complete range of colours.



Flexibility in every detail

Headrest

The flattened back cushion of the Comfort upholstery in the neck area offers maximum freedom of movement for the headrest.



Integrated knee support cushion

Optimum patient comfort thanks to the integrated knee support cushion which can be easily adjusted to accommodate any patient height.

An optional legrest extension can be attached when treating tall or very tall patients.



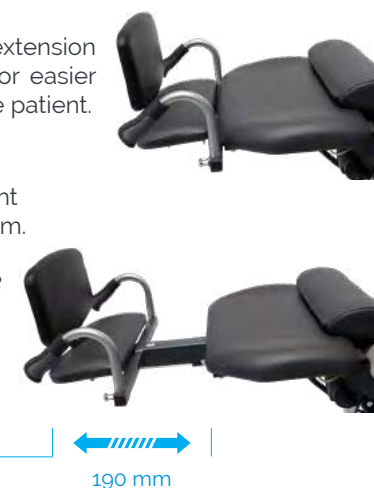
Accessories

Legrest extension

Adjustable legrest extension incl. foot support for easier entry and exit of the patient.

Besides, entry height is reduced by 80 mm.

Item No.: 3351 1028



Technical specifications



Chassis

- Frame profile 90 x 50 mm
- Outside length 785 mm
- Outside width 720 mm
- Steel tube frame, powder-coated elegant anthracite matte finish
- Brake operable from both sides and acting on two castors each; two castors featuring independent directional steering function
- Double rimmed castors \varnothing 125 mm
- Detachable foot keypad (total, head up / down)
- Emergency stop button
- Visible screws are made of stainless steel
- With equipotential bonding connection

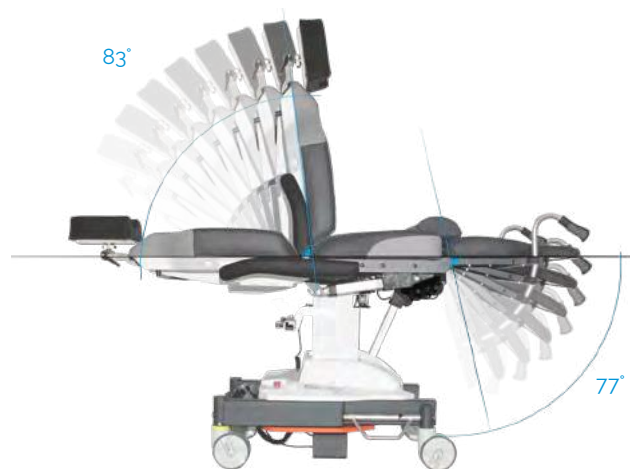
Trendelenburg / Reverse Trendelenburg / CPR



Upper frame

- 4-part support frame (head, back, seat, leg part)
 - Removeable upholstery
 - Width of upholstery 610 mm
 - Width incl. armrests 850 mm
 - Length 1.760 – 1.900 mm
(incl. legrest extension) + 190 mm
- | | Angle | Dimensions (Lx W) |
|---------------------|----------------------------------|---|
| - Head part | -29° / +35° | 255 x 245 mm |
| - Back part | 0° / +83° | 610 x 610 mm |
| - Seat part | -5° / +35° | 450 x 610 mm |
| - Leg part | 0° / +77° | 510 x 610 mm |
| - Height adjustment | | 625 – 925 mm
(comfort) 655 – 955 mm |
| - Armrests | 0° / +180° | (2 x) 470 x 75 mm |
| - Entry height | | (standard) 580 mm / 500 mm (incl. legrest extension)
(comfort) 610 mm / 530 mm (incl. legrest extension) |
| - Legroom | | 520 – 820 mm |
| - Trendelenburg | -12° / Reverse Trendelenburg +5° | |

Back part / Leg part



Electrical control

- All components according to IP54
- Manual keypad with 8 individually programmable memory positions, auto run function, reset button
- Foot keypad with 4 footswitches and reactivation button

Electric Drives

- Head, back, seat, leg part, total up / down
- Trendelenburg / Reverse Trendelenburg

Lifting column

- Max. lifting 300 mm
- Max. patient weight 250 kg
- Motors IP54 with HAL sensors, to be memorized

Height adjustment



Powerful accumulators

- Battery box with 2 batteries (lead-gel), pollution free, maintenance-free, cadmium-free 2 x 12 V 7,2 Ah
- As back-up-system exchangeable without tools
- Acoustic low voltage signal for discharge protection
- Universal battery charger Input: 100-240 V Output: 24 V

Operating time per battery charge

- Measured by operating circle (Prepare-Operate-Recover) 100 OPs
- Quantity of operating circles depends on individual operation

Further technical details

- Chair has detachable, swiveling armrests made completely with PUR foam
- Detachable seat for service friendly access to electric components
- Max. load 250 kg
- Weight 135 kg

Subject to technical modifications.

Mains-free operation

Easy recharging of the equipment thanks to charging adapter and integrated battery charger circuit board.



Simple battery replacement

Extra security thanks to exchangeable battery drawer. The rechargeable batteries can be replaced quickly thanks to the rechargeable battery drawer.



Equipment protection - cover drape *stayClean*

100x73 cm, box á 240 Pieces
4x60 Pieces Item No.: 3016 0001

200x73 cm, box á 160 Pieces
4x40 Pieces Item No.: 3034 0014

Page 72



Colour card

Standard colour
500 *XLE*
500 *XLE comfort*

anthracite Item No.: 3037 0052
anthracite Item No.: 3037 0052
+ Item No.: 3037 0056

„Pandoria Plus“
Page 109

“Tundra skai”
Page 108



Accessories



PERFORMANCE
LINE



500 XLE
Item No. : 1500 0006



500 XLE comfort
Upcharge comfort upholstery incl. integrated knee roll, upcharge
Item No. : 1500 0006 + 3037 0080



Headrest with ball joint,
360° all-round adjustment,
factory-fitted

Item No.: 3351 1021



Side parts (right+left)
swiveling incl. locking,
580 x 200 mm

Item No.: 3351 0012



Norm rail seat part

Item No.: 3351 0047



Side parts (right+left)
incl. quick-release clamp for
mounting on norm rail
(without norm rail 3351 0047),
580 x 200 mm

Item No.: 3351 0050



Backup battery

Item No.: 3047 0000



Sliding handles back part

Item No.: 3351 0046



Additional handles, pair

Item No.: 3351 0017



Padded arm board
with universal joint,
with wrist secure straps

Item No.: 3351 0011



Flexible surgical drape
support rod

Item No.: 3205 0000



Flexible surgical drape
support rod with air
connection

Item No.: 3206 0000



Hand control holder for
attachment onto an I.V. Pole
Ø 25 / 18 mm, PVC

Item No.: 3351 1022



Hand control holder, PVC

Item No.: 3351 1023



Head part bumper stainless steel

Item No.: 3028 0000



Wrist rest incl. mounting plate 30130000, adjustable

Item No.: 3014 0000



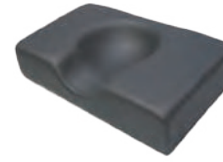
Wrist rest incl. mounting plate 30130000, adjustable, tiltable

Item No.: 3014 0005



Mounting plate stainless steel for the wrist rest 30140000

Item No.: 3013 0000



Head fixation pillow with hollow (rubins pillow), 41 x 25 cm, height 10 cm

Item No.: 3022 0000



Facial pillow, horseshoe-shaped, incl. adapter plate, factory-fitted, upcharge not discountable

Item No.: 3351 1016



Instrument table 50 x 30 x 1.5 cm, height adjustable, swiveling, detachable, incl. adapter

Item No.: 3065 0000



Shoulder parts right and left

500 XLE

Item No.: 3071 0000

500 XLE comfort

Item No.: 3071 0001



Half round bolster pillow 60 x 28 x 14cm, cushions knees, PUD-coated

Item No.: 3019 0000



Full round bolster pillow, cushions knees, 50 x 15 cm, PUD-coated

Item No.: 3050 0000



Wrist secure straps, pair

Item No.: 3015 0000



Bodystrap with Velcro straps 2-piece

Item No.: 3083 0000



Legrest extension incl. foot support, factory-fitted, upcharge

Item No.: 3351 1028



Foot protection foil

Item No.: 3092 0001



I.V. Pole stainless steel Ø 25 / 18 mm, one-hand height-adjustable 1070-1660 mm, 4 hooks, max. 2 kg 8.4 lbs/hook, glass and holder
Item No.: 3068 0000



Monitor arm stainless steel, swiveling, incl. extendible I.V. Pole Ø 25 mm

Item No.: 3024 0014



Accessory mounting support, stainless steel

Item No.: 3351 0037



Cylinder holder

Item No.: 3072 0002



Hand operating table with mounting clamp, table top and supports on castors height adjustable

Item No.: 3313 0000



Instrument table **supportLine** height adjustable 73-98,5 cm

Item No.: 3351 0026

supportLinePlus

height adjustable 93-118,5 cm
Item No.: 3351 0045



stayClean cover drape for treatment chair, 100 x 73 cm, box à 240 pieces
Item No.: 3016 0001
200x73 cm, box à 160 pieces
Item No.: 3034 0014

500 bariatric

Item No. : 1500 0002

The **500bariatric** - our ultra rugged treatment chair, with an extra 760 mm of reclining surface, increased lifting capacity and 350 kg payload capacity.

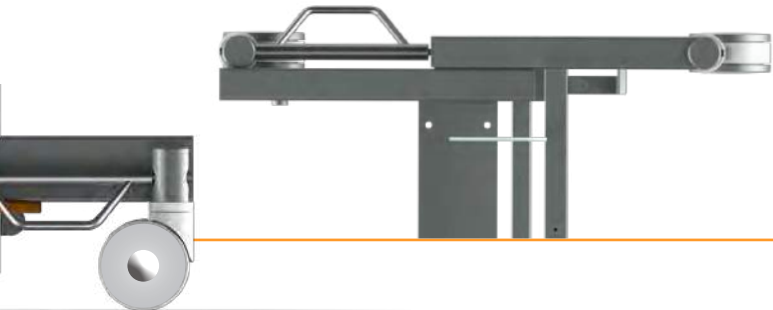
Power and comfort
for obese patients



Designed for maximum load

Chassis

Rugged steel frame and highly resilient steel chassis, galvanized and powder-coated in anthracite. Four fully rotating double-run castors for spine friendly and easy rolling motion. Outstanding driving characteristics.



Operation by hand

Manual keypad with 3 freely programmable memory positions and reset button.



Operation by foot

Removable foot keypad for infinite electronic height and head adjustment.



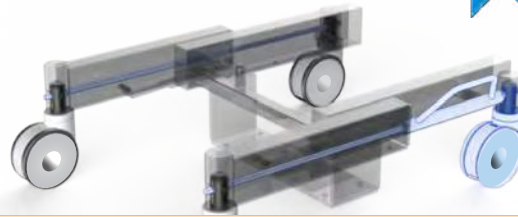
Mechanical maneuvering aid on the chassis



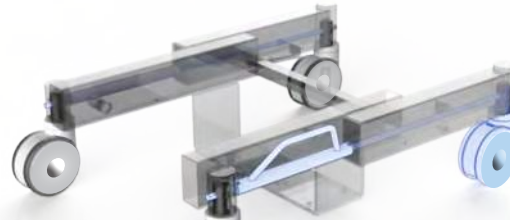
Operation via foot lever on the chassis

Activation of directional guidance

Pushing from the head direction



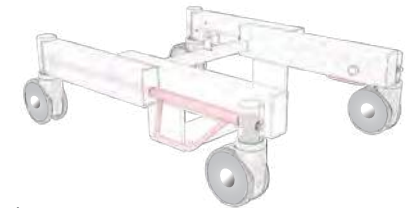
Pushing from the foot direction



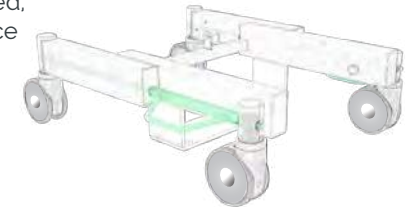
Braking system

Manual adjustable foot lever

Castors are braked



Castors are released, directional guidance is deactivated



Precise positioning of the head part

Headrest

3D and longitudinally adjustable headrest element with head molding and neck support for guaranteed safe and correct head positioning.



Armrests

Hinged and removeable armrests for easy entry and exit as well as transfer of the patient.



Accessories

Additional handles / shoulder parts and more

Discover additional features and extensive accessories on page 40-41.



Technical specifications



Chassis

- Frame profile 90 x 50 mm
- Outside length 935 mm
- Outside width 850 mm
- Zinc-plated and powder-coated according to RAL
- Central brake on both sides works on all four castors. The direction of two castors can be independently adjusted
- Double rimmed castors ø 150 mm
- Detachable foot keypad (total, head up / down)
- Emergency stop button
- Visible screws are made of stainless steel

Frame

- 4-part support frame (head, back, seat, leg part)
- Length 1.880 – 1.940 mm
- Width 760 mm
- Width incl. armrest 1030 mm
- Entry height 620 mm
- Removeable upholstery

	Angle	Dimensions (L x W)
- Head part	-29° / +31°	255 x 245 mm
- Back part	0° / +85°	610 x 760 mm
- Seat part	-6° / +35°	450 x 760 mm
- Leg part	0° / +70°	510 x 760 mm
- Height adjustment		680 – 940 mm
- Armrests	0° / +180°	(2 x) 470 x 75 mm

Electrical control

- All components according to IPX4
- Manual keypad with 3 individually programmable memory positions and reset button
- Foot keypad with 4 footswitches

Electric Drives

- Head, back, seat, leg part, total up / down
- Trendelenburg / Reverse Trendelenburg

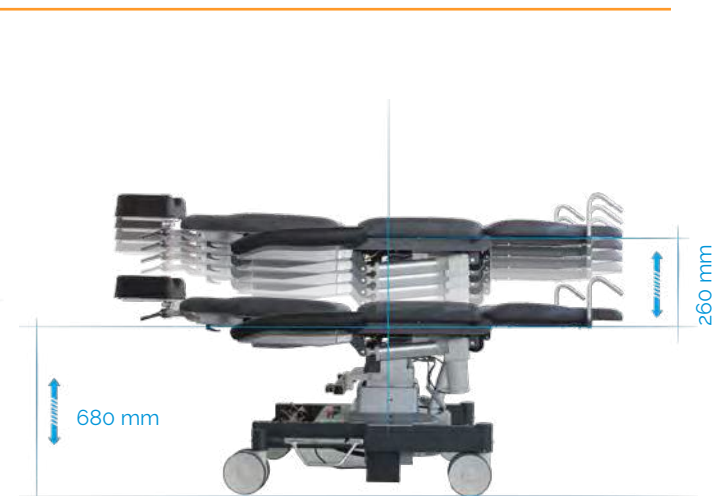
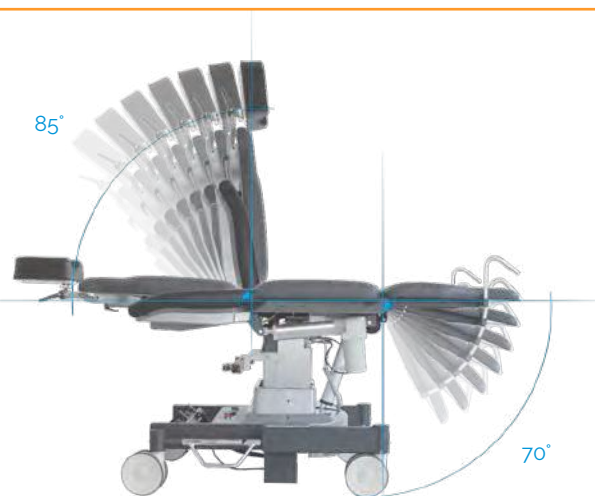
Lifting column

- Max. lifting 260 mm
- Max. patient weight 350 kg
- Motors IPX4 with reed contacts, to be memorized

Trendelenburg / Reverse Trendelenburg

Back part / Leg part

Height adjustment



Powerful accumulators

- Battery box with 2 batteries (lead-gel), pollution free, maintenance-free, cadmium-free
2 x 12 V 7,2 Ah
- As back-up-system exchangeable without tools
- Acoustic low voltage signal for discharge protection
- Universal battery charger
Input: 100-240 V
Output: 24 V

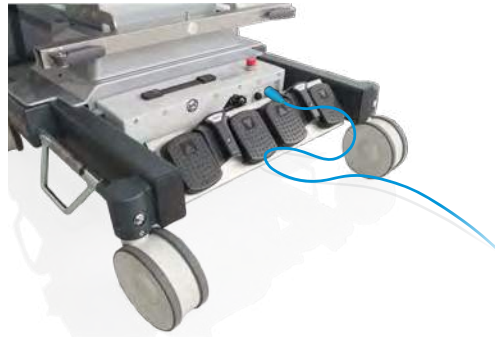
Operating time per battery charge

- Measured by operating circle (Prepare-Operate-Recover)
- Quantity of operating circles depends on individual operation

80 OPs

Mains-free operation

Easy recharging of the equipment thanks to charging adapter and integrated battery charger circuit board.



Simple battery replacement

Extra security thanks to exchangeable battery box. Easy replacement of discharged battery boxes.



Further technical details

- Chair has detachable, swiveling armrests made completely with PUR foam
- All touchable metal parts are grounded
- Detachable seat for service friendly access to electric components

- Max. Load 350 kg
- Weight 145 kg

Subject to technical modifications.

Colour card

Standard colour anthracite Item No.: 3037 0052



Accessories



PERFORMANCE
LINE



500 bariatric
Item No. : 1500 0002



Backup battery

Item No.: 3047 0000



Head part bumper stainless steel

Item No.: 3028 0000



Wrist rest incl. mounting plate 3013 0000, adjustable

Item No.: 3014 0000



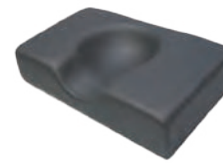
Wrist rest incl. mounting plate 30130000, adjustable, tilttable

Item No.: 3014 0005



Mounting plate stainless steel for the wrist rest 3014 0000

Item No.: 3013 0000



Head fixation pillow with hollow (rubins pillow), 41 x 25 cm, height 10 cm

Item No.: 3022 0000



Cylinder holder

Item No.: 3072 0000



Instrument table 50 x 30 x 1.5 cm, height adjustable, swiveling, detachable, incl. adapter

Item No.: 3065 0000



Shoulder parts right and left

Item No.: 3071 0000



Half round bolster pillow 60 x 28 x 14cm, cushions knees, PUD-coated

Item No.: 3019 0000



Full round bolster pillow, cushions knees, 50 x 15 cm, PUD-coated

Item No.: 3050 0000



Wrist secure straps, pair

Item No.: 3015 0000



Bodystrap with Velcro straps 2-piece

Item No.: 3083 0000



Side rails (right+left) swiveling incl. locking, upholstered

Item No.: 3101 0001



Padded arm board with universal joint, with wrist secure straps

Item No.: 3092 0001



Monitor arm stainless steel, swiveling, incl. extendible I.V. Pole Ø 25 mm

Item No.: 3024 0014



Monitor arm stainless steel, not swiveling, incl. extendible I.V. Pole Ø 25 mm

Item No.: 3351 0037



Additional handles, pair

Item No.: 3069 0000



Flexible surgical drape support rod

Item No.: 3205 0000



Flexible surgical drape support rod, with air connection

Item No.: 3206 0000



Instrument table *supportLine* height adjustable 73-98,5 cm Item No.: 33510026 *supportLine Plus* height adjustable 93-118,5 cm Item No.: 3351 0045



I.V. Pole stainless steel Ø 25 / 18 mm, one-hand height-adjustable 1070-1660 mm, 4 hooks, max. 2 kg 84.4 lbs/hook, glass and holder Item No.: 3068 0000

functionalClass



What procedures will you perform?

Excellent functionality at minimum cost for successful outcomes in the operating room. Mobile options for use in any size facility. Keep patient care number one on your priority list.

500 XLS - essential tool in oral and maxillofacial surgery

It has never been so simple to adapt new technology in your daily workflow.

- Multifunctional horseshoe shaped headrest element featuring two-dimensional and longitudinal adjustment
- Power supply-independent battery box with integrated emergency stop button

500 ECO - ideal for I.V.I. treatments

Basic budget friendly treatment chair for walk-in OR concepts and Intravitreal Injection (I.V.I) treatments.

- JUST WALK-IN OR: in 5-6 seconds in OR-Position
- direct power connection

400 XL - highly functional basic foot hydraulic treatment table

This entry-level model is based on a rugged and easy-to-use technology. Its function is independent of batteries to keep procurement costs low on the one hand and ensures a long service life on the other hand.

- Comfortable three-piece cover surface
- Can be used in any location

**Functionality
in a nutshell**

500 XLS

Item No. : 1500 0005



500 ECO

Item No. : 1500 0008



400 XL

Item No. : 1400 0001



I.V.I. treatment



Ophthalmic surgery



ENT surgery



Implantology
Oral surgery
Maxillofacial surgery



Aesthetic surgery
Plastic surgery
Hair transplantation

FUNCTIONAL
CLASS

500 XLS

Art. Nr. : 1500 0005

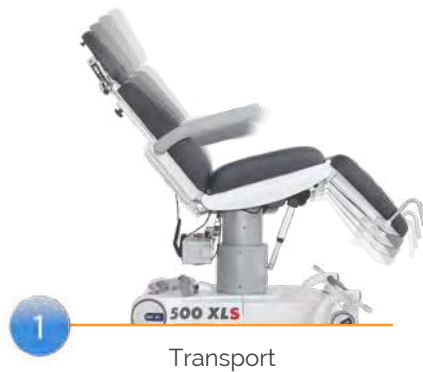
Perfect for oral and maxillo-facial surgery treatments, with multifunctional horseshoe-shaped headrest element. For comfortable patient positioning for applications and treatments requiring prone patient positioning.

Our specialist
for ENT treatment



Positioning

Standard recommended memo keys



Precise positioning of the head part

Headrest

Multifunctional headrest element featuring two-dimensional and longitudinal adjustment. Horseshoe shape also allows treatments in prone position.



Braking system

Mechanical. Easy to handle.

Rugged moving gear featuring 2 central braking steering castors and 2 rigid castors for high stability combined with easy maneuverability.



Positioning by hand control

Multi-functional manual control

- Battery charge indicator
- Reset button
- CPR button
- Auto run function
- 8 free configurable memory positions



CPR



MEMORY

NEW



Positioning by foot control

Removable foot keypad

for back, seat and height adjustment, including on-off button, 3 memory positions, and a reset key.



Technical specifications



Chassis

- Frame profile 60 x 30 mm
- Outside length 1.020mm
- Outside width 710mm
- Outside width incl. arm rests 830 mm
- White paint finish
- Central brake, operable from both sides
- 2 pcs. double castors \varnothing 100 mm
- 2 pcs. rigid castors \varnothing 150 mm
- Foot keypad, removable
(for overall / backrest / seat adjustment;
reset button; auto-run function; 3 memory positions)
- Emergency stop button
- With equipotential bonding connection

Trendelenburg / Reverse Trendelenburg

Upper frame

- 4-part support frame (head, back, seat, leg part)
- Length 1.930 – 2.160 mm
- Width of upholstery 610 mm
- Entry height 580 mm
- Removeable upholstery

	Angle	Dimensions (L x W)
- Head part	0° / +180°	275 x 280 mm
- Back part	0° / +84°	610 x 610 mm
- Seat part	-3° / +32°	510 x 600 mm
- Leg part	0° / +70°	490 x 525 mm
- Height adjustment		von 580 – 860 mm
- Armrests	0° / +180°	455 x 75 mm

Back part / Leg part

Electrical control

- All components according to IP54
- Manual keypad with 8 individually programmable memory positions, auto run function, reset button
- Foot keypad

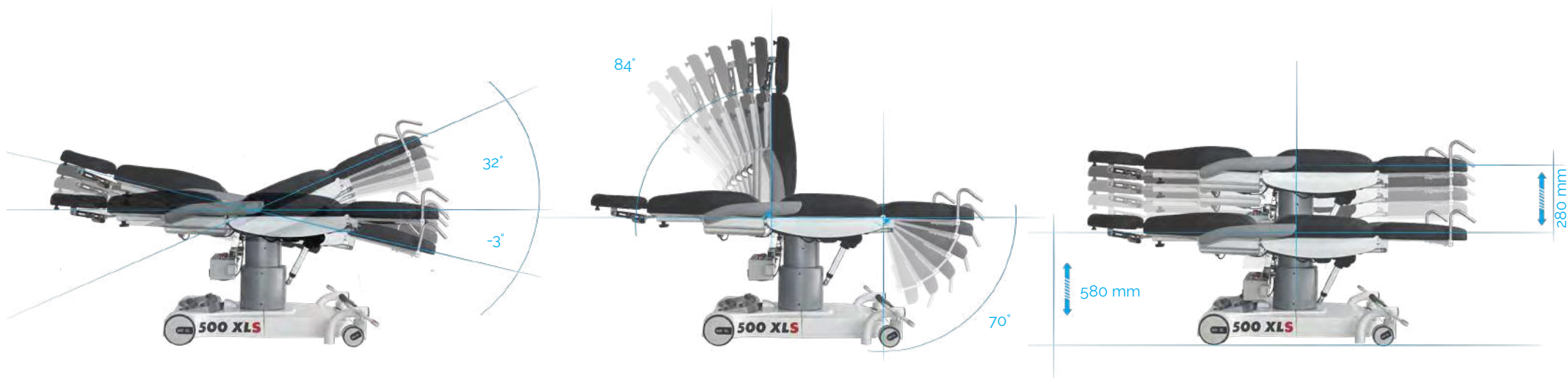
Electric Drives

- Back, seat, leg part, total up / down
- Trendelenburg / Reverse Trendelenburg

Lifting column

- Max. lifting 280 mm
- Max. patient weight 200 kg
- Motors IP54 with HAL sensors, to be memorized

Height adjustment



Powerful accumulators

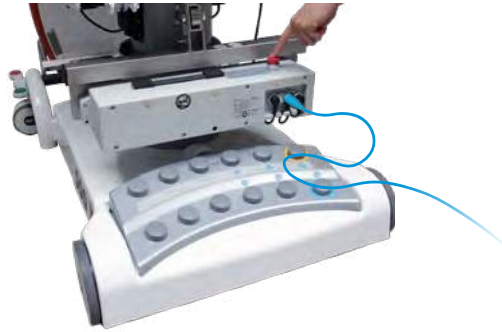
- Battery box with 2 batteries (lead-gel), pollution free, maintenance-free, cadmium-free 2 x 12 V 7,2 Ah
- As back-up-system exchangeable without tools
- Acoustic low voltage signal for discharge protection
- Universal battery charger Input: 100-240 V Output: 30 V

Operating time per battery charge

- Measured by operating circle (Prepare-Operate-Recover) 100 OPs
- Quantity of operating circles depends on individual operation

Mains-free operation

Easy recharging of the equipment thanks to charging adapter and integrated battery charger circuit board.



Simple battery replacement

Extra security thanks to exchangeable battery box. Easy replacement of discharged battery boxes.



Further technical details

- Chair has detachable, swiveling armrests made completely with PUR foam
- All touchable metal parts are grounded
- Detachable seat for service friendly access to electric components

- Max. load 200 kg
- Weight 100 kg

Subject to technical modifications.

Equipment protection - cover drape *stayClean*

100x73 cm, box á 240 Pieces
4x60 Pieces

Item No.: 3016 0001

200x73 cm, box á 160 Pieces
4x40 Pieces

Item No.: 3034 0014

Page 72



Colour card

Standard colour

anthracite Item No.: 3037 0052

„Pandoria Plus“
Page 109

“Tundra skai”
Page 108



Accessories



FUNCTIONAL
CLASS



500 XLS
Item No. : 1500 0005



Backup battery

Item No.: 3047 0000



I.V.Pole stainless steel
Ø 25 / 18 mm, one-hand
height-adjustable 1070-1660 mm,
4 hooks, max. 2 kg 84,4 lbs/hook,
glass and holder

Item No. 3068 0000



Hand control holder

Item No.: 3351 1023



Hand control holder for attachment onto an I.V. Pole
Ø 25/18 mm, PVC

Item No.: 3351 1022



Inlay head pillow

Item No.: 3325 0000



Padded arm board with universal joint, with wrist secure straps

Item No. 3078 0000



Norm rail 300 mm, seat part

Item No.: 3321 0000



Norm rail, back part

Item No.: 3320 0000



Instrument table
50 x 30 x 1.5 cm,
height adjustable, swiveling,
detachable, incl. adapter

Item No.: 3065 0000



Trapeze cushion, wedge, for back/seat part, black

Item No.: 3022 0005



Half round bolster pillow
60 x 28 x 14cm,
cushions knees,
PUD-coated

Item No.: 3019 0000



Full round bolster pillow,
cushions knees,
50 x 15 cm,
PUD-coated

Item No.: 3050 0000



Wrist secure straps, pair

Item No.: 3015 0000



Bodystrap with
Velcro straps 2-piece

Item No.: 3083 0000



Side rails (right+left)
swiveling incl. locking,
upholstered

Item No.: 3351 1036



Foot protection foil

Item No.: 3326 0000



Monitor arm stainless steel,
swiveling, incl. extendible I.V.
Pole Ø 25 mm

Item No.: 3024 0014



Monitor arm stainless
steel, not swiveling, incl.
extendible I.V. Pole Ø 25 mm

Item No.: 3351 0037



Additional handles, pair

Item No. 3069 0000



Flexible surgical drape
support rod with air
connection, incl. norm rail
33200000 and mounting
clamp 30900000

Item No. 3351 0009



Flexible surgical drape
support rod, incl. norm rail
3320 0000 and mounting
clamp 3090 0000

Item No.: 3351 0010



Instrument table
supportLine
height adjustable 73-98,5 cm
Item No.: 3351 0026
supportLinePlus
height adjustable 93-118,5 cm
Item No.: 3351 0045



stayClean
cover drape for treatment chair,
100 x 73 cm, box à 240 pieces
Item No.: 3016 0001
200x73 cm, box à 160 pieces
Item No.:3034 0014

500 ECO

Art. Nr. : 1500 0008

Perfect for I.V.I. treatments. Direct power connection and the integrated power supply unit enable the more powerful operation with high adjustment speed.

Out of the box
solution



DIRECT POWER CONNECTION



Positioning

Efficient, comfortable and fast!



Entering



Patient positioning

5 - 6 SEC
IN OR-POSITION

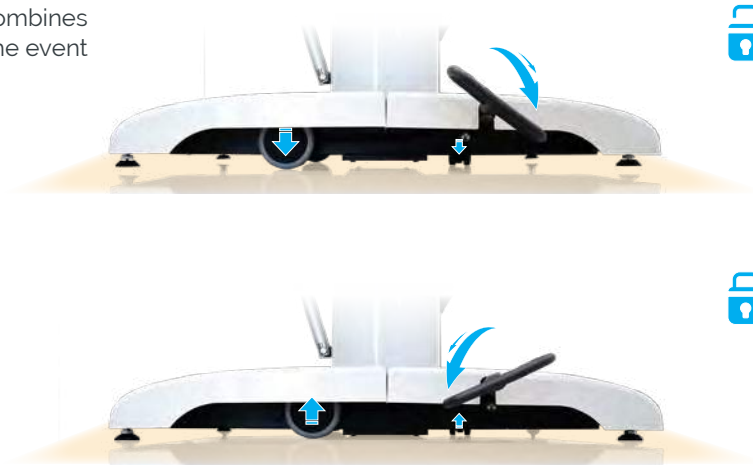
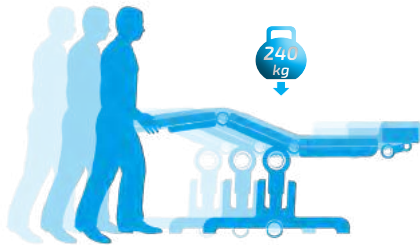


Surgery position

Sturdy base with mono lifting column

Stability / Maneuvering aid

Sturdy stand with three extendable castors combines high stability with simple maneuvering aid (in the event of a change of a location).



Precise positioning of the head part

Headrest

Mechanical adjustment options for comfortable and fine-tuned positioning of the patient's head, adapted to his individual body dimensions.



Positioning by hand control

Multifunctional manual keypad

- CPR button
- Reset button



- Auto run function



- 8 free configurable memory positions



NEW

Positioning by foot control

Optional: foot switch

2 memory positions (M1/M2). Item No.: 3351 1029



Technical specifications



Chassis

- Outside length 910 mm
- Outside width incl. foot pedal 600 mm
- Outside width incl. arm rests 845 mm
- White paint finish
- 2 pcs. double castors \varnothing 100 mm
- 2 pcs. rigid castors \varnothing 35 mm
- optional: foot keypad
(2 Memory-Positionen, M1/M2)

Upper frame

- 4-part support frame (head, back, seat, leg part)
- Length 1.950 – 2.230 mm
- Width of upholstery 600 mm
- Entry height 550 mm
- Removeable upholstery

	Angle	Dimensions (L x W)
- Head part	-27° / +180°	280 x 420 mm
- Back part	-23° / +85°	710 x 600 mm
- Seat part	-28° / +3°	510 x 600 mm
- Leg part	0° / +75°	490 x 530 mm
- Height adjustment		von 615 – 890 mm
- Armrests	0° / +180°	455 x 75 mm
- Legroom surgeon		485 – 760 mm
- CPR / flatposition		(height back part) 600 mm

Electrical control

- All components according to IP54
- Manual keypad with 8 individually programmable memory positions, auto run function, reset button
- Foot keypad (optional)

Electric Drives

- Back, seat, leg part, total up / down

Lifting column

- Max. lifting 275 mm
- Max. patient weight 240 kg
- Motors IPX4 with HAL sensors, to be memorized

Seat part / CPR

Back part / Leg part

Height adjustment / Legroom



Application example

assistTrend Item No.: 2500 0002
 + arm rest pair + Item No.: 3300 0000

500 ECO Item No.: 1500 0008



Further technical details

- Chair has detachable, swiveling armrests made completely with PUR foam
- Detachable seat for service friendly access to electric components

- Max. load 240 kg

- Weight 90 kg

Subject to technical modifications.

Paper rolls *stayClean* roll

- white embossed
- 2-ply
- 50 cm x 50 m
- Carton á 9 pieces

Item No.: 3034 0021

Page 75



Colour card

Standard colour

anthracite Item No.: 3037 0052
 + chrom Item No.: 3037 0056

„Pandoria Plus“
 Page 109

„Tundra skai“
 Page 108



Accessories



FUNCTIONAL
CLASS



500 **ECO**
Item No. : 1500 0008



Multifunctional headrest

Item No.: 3351 1034



Foot switch with 2 free configurable memory position

Item No.: 3351 1029



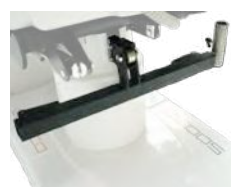
Paper roll holder

Item No.: 3351 1031



stayClean roll paper roll, white embossed, 2-ply, 50 cm x 50 m, carton à 9 pieces

Item No.: 3034 0021



Accessory mounting support, powder coated, with accessory holder, stainless steel

Item No.: 3351 1033



Accessory mounting support, stainless steel

Item No.: 3351 0037



Hand control holder

Item No.: 3351 1023



Monitor arm stainless steel, swiveling, incl. extendible I.V. Pole Ø 25 mm

Item No.: 3024 0014



I.V. Pole stainless steel Ø 25/18 mm, one-hand height-adjustable 1070-1660 mm, 4 hooks, max. 2 kg 8.4 lbs/hook, glass and holder

Item No. 3068 0000



Hand control holder for attachment onto an I.V. Pole Ø 25/18 mm, PVC

Item No.: 3351 1022



Side rails (right+left) swiveling incl. locking, upholstered

Item No.: 3351 1036



Padded arm board with universal joint, with wrist secure straps

Item No. 3078 0000



Norm rail 300 mm seat part

Item No.: 3321 0000



Instrument table 50 x 30 x 15 cm, height adjustable, swiveling, detachable, incl. adapter

Item No.: 3065 0000



Foot protection foil

Item No.: 3326 0000



Trapeze cushion, wedge, for back/seat part, black

Item No.: 3022 0005



Full round bolster pillow, cushions knees, 50 x 15 cm, PUD-coated

Item No.: 3050 0000



Half round bolster pillow 60 x 28 x 14cm, cushions knees, PUD-coated

Item No.: 3019 0000



Bodystrap with Velcro straps 2-piece

Item No.: 3083 0000



Inlay head pillow

Item No.: 3325 0000



Instrument table *supportLine* height adjustable 73-98.5 cm

Item No.: 3351 0026



Instrument table *supportLine plus* height adjustable 93-118.5 cm

Item No.: 3351 0045

400 XL

Item No. : 1400 0001

Highly functional, basic hydraulic treatment table. The great freedom of movement and ample legroom for optimum access to the patients. The 400 XL treatment table can be rotated by 360 degrees to also allow even lateral movements. Our entry-level model is based on a rugged and easy-to-use technology. In contrast to our electromechanical models, its function is independent of batteries. This keeps procurement costs low on the one hand and ensures a long service life on the other hand.



Can be used in any location

Easy to service and maintain

Outstanding resistance to tipping

Ergonomically shaped push handles

Designed for optimized function

Chassis

Gentle and stable hydraulic system for patient positioning. Foot pedal for hydraulic adjustment of head, back, shock position and overall up/down adjustment – guaranteed to last.



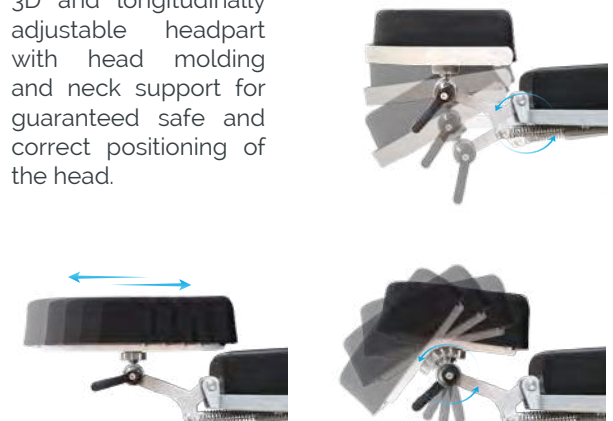
Double castors

Large double castors for easy moving and maneuvering by one person, even in confined spaces. Effortless directional stability - direction-setting castor, manually adjustable via foot pedal. Central foot brake acting on 4 castors.



Headrest

3D and longitudinally adjustable headpart with head molding and neck support for guaranteed safe and correct positioning of the head.



General

- Comfortable three-piece cover surface
- Wide and comfortable upholstery in anthracite
- Low entry height
- Suitable even for very tall patients



Technical specifications

Chassis

- Frame profile 50 x 50 mm
- Outside length 1530 mm
- Outside width 750 mm
- Castor, electrically conductive ø 150 mm

Lifting column

- Foot hydraulic
- Height adjustment min. / max. 650 / 1030 mm
- Max. lifting force 2,000 N
- Leg part lifting force 1,500 N
- Back part lifting force 1,200 N
- Head part lifting force 500 N
- Operating pressure 120 bar
- Hydraulic oil, DTE 10 EXCEL 32 ca. 0.7 liter

Upper frame

- 3-part support frame (head, back, leg part)
- Upholstery 80 mm
- Length 1930 – 2060 mm
- Width 700 mm
- Head part angle adjustment -28° / +21°
- Back part angle adjustment -13° / +58°
- Leg part angle adjustment 0° / +13°
- Trendelenburg -13
- Height adjustment range 380 mm
- Standard stainless steel side rails, both sides 25 x 10 mm
- Entry height 650 mm
- Legroom surgeon 500 - 880 mm

Max. Load 175 kg

Weight 140 kg

Subject to technical modifications.

Technical dimensions

Trendelenburg



Back part



Height adjustment



Accessories



FUNCTIONAL
CLASS



400 XL
Item No. : 1400 0001

Colour card

Standard colour anthracite Item No.: 3037 0052

„Pandoria Plus“
Page 109

„Tundra skai“
Page 108





Head part bumper stainless steel

Item No.: 3028 0000



Wrist rest incl. mounting plate 3013 0000, adjustable

Item No.: 3014 0000



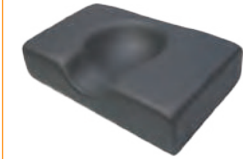
Wrist rest incl. mounting plate 3013 0000, adjustable, tilttable

Item No.: 3014 0005



Mounting plate stainless steel for the wrist rest 3014 0000

Item No.: 3013 0000



Head fixation pillow with hollow (rubins pillow), 41 x 25 cm, height 10 cm

Item No.: 3022 0000



Side parts (right+left) incl. quick-release clamp for mounting on norm rail 3351 0049, 580 x 200 mm

Item No.: 3351 0050



Half round bolster pillow 60 x 28 x 14cm, cushions knees, PUD-coated

Item No.: 3019 0000



Full round bolster pillow, cushions knees, 50 x 15 cm, PUD-coated

Item No.: 3050 0000



Wrist secure straps, pair

Item No.: 3015 0000



Bodystrap with Velcro straps 2-piece

Item No.: 3083 0000



Padded arm board with universal joint, incl. mounting clamp

Item No.: 3011 0000



Mounting clamp CNS

Item No.: 3026 0000



Flexible surgical drape support rod with air connection (mounting clamp 3090 0000 not included)

Item No.: 3033 0000



Flexible surgical drape support rod (mounting clamp 3090 0000 not included)

Item No.: 3032 0000



Mounting clamp polished aluminium, with quick clamp lever for norm rail 25 x 10 mm incl. locking device

Item No.: 3090 0000



Instrument table *supportLine* height adjustable 73-98.5 cm

Item No.: 3351 0026



Instrument table *supportLinePlus* height adjustable 93-118.5 cm

Item No.: 3351 0045

motionLine

Item No. : 1700 0000

The ergonomic transport & relaxing chair for extra patient comfort & wellness flair.

With many practical details for patients & caregivers: Low entry height, synchronously adjustable resting position, comfortable bolster & lumbar support, comfortable push handles and hanging basket for patient property.



Maximum patient comfort

Headrest

Flexible, height-adjustable neck support cushion for enhanced patient comfort.



Double castors

Infinitely adjustable back, leg part and seat adjustment via gas pressure spring with foot release. Castor brakes on the left and right 360-degree rotating castors hold the chair safely in place.



Insert basket

Practical storage basket for patient medical records and belongings.



Armrests

Hinged and removable armrests for easy entry and exit as well as transfer of the patient.



Push handles

Ergonomically shaped, durable, non-sliding rubber grips.



Technical specifications

Chassis

- Laser frame profile 5 mm
- Chassis length 1000 mm
- Width incl. wheels 650 mm
- Width incl. armrest 680 mm
- Wheel / castors diameter ø 300 / 125 mm

Lifting column

- | | | |
|---------------------|------------|--------------------|
| | Angle | Dimensions (l x w) |
| - Back part | +80° | 830 x 510 mm |
| - Seat part | +30° | 530 x 510 mm |
| - Leg part | +82° | 380 x 510 mm |
| | | |
| - Upholstery height | | 50 / 90 mm |
| - Total length | | 1,750 mm |
| - Armrests | 0° / +180° | height 810 mm |
| - Entry height | | 610 mm |
| - Chair height max. | | 1360 mm |

Max. load 135 kg

Weight 56 kg

Subject to technical modifications.

Standard colour anthracite **Item No.:** 3037 0052



"Tundra skai"
Page 108

Technical dimensions

Back / Leg part



motionLine-E

Item No. : 1700 0001

Patient transfer and resting position made even easier.

The ergonomically designed transport & relaxing chair for maximum patient comfort. All the benefits of our *motionLine* model in combination with an electrically assisted position control - with a handy, cable-connected remote control.



Electronically adjustable

Battery box

Easy recharging of the equipment thanks to charging adapter and integrated battery charger circuit board. Extra security thanks to exchangeable battery box. Easy replacement of discharged battery boxes.



Hand control

Synchronized back, leg part and seat adjustment - made simple and comfortable by the hand control

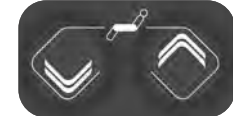


Functions

Synchronized back and leg part angle adjustment



Seat angle adjustment



Auto run function chair position



Auto run function shock position



Armrests

Hinged and removable armrests for easy entry and exit as well as transfer of the patient.



Push handles

Ergonomically shaped, durable, non-sliding rubber grips.



Technical Specifications

Chassis

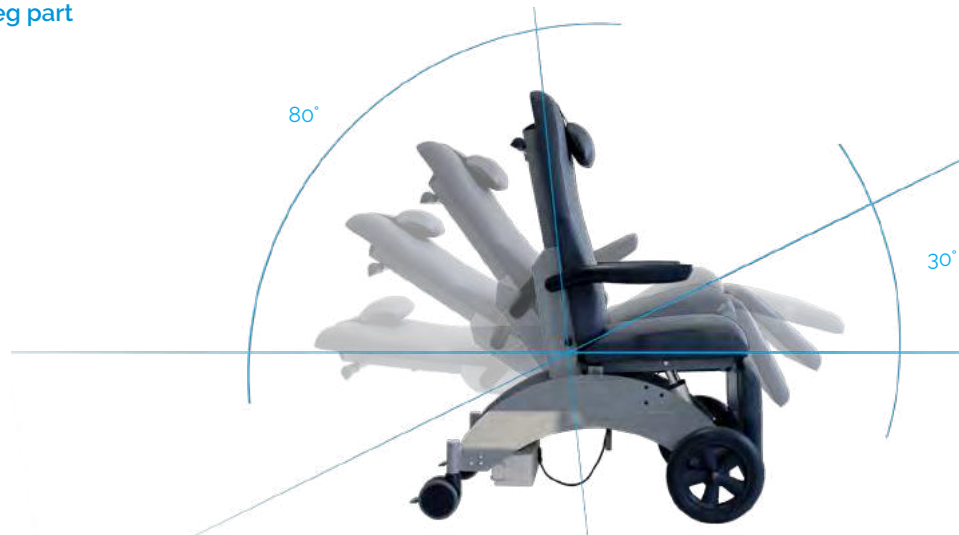
- Laser frame profile 5 mm
- Chassis length 1000 mm
- Width incl. wheels 650 mm
- Width incl. armrest 680 mm
- Wheel / castor diameter ø 300 / 125 mm
- Emergency stop button

Lifting column

- Electronic control system per keypad
 - Synchronized back-/footrest and seat adjustment
- | | Angle | Dimensions (L x w) |
|---------------------|------------|--------------------|
| - Back part | +80° | 830 x 510 mm |
| - Seat part | +30° | 530 x 510 mm |
| - Leg part | +82° | 380 x 510 mm |
| - Upholstery Height | | 50 / 90 mm |
| - Total length | | 1,750 mm |
| - Armrests | 0° / +180° | height 810 mm |
| - Entry height | | 610 mm |
| - Chair height max. | | 1360 mm |

Technical dimensions

Back / Leg part



Battery unit

- Battery box with 2 batteries (lead-gel), pollution free, maintenance-free, cadmium-free 2 x 12 V 7.2 Ah
- Universal battery charger: Input: 100-240 V Output: 30 V

Max. load

135 kg

Weight

64 kg
Subject to technical modifications.

Standard colour

anthracite Item No.: 3037 0052



"Tundra skal"
Page 108

Accessories



MOTIONLINE
MOTIONLINE-E



motionLine
Item No. : 1700 0000



motionLine-E
Item No. : 1700 0001



Backup battery,
motionLine-E

Item No.: 3047 0000



Foot protection foil

Item No.: 3319 0000



Instrument table
30x20x13 cm,
incl. arm, adapter and sleeve

Item No.: 3329 0000



Adapter for I.V. Pole

Item No.: 3082 0000



I.V. Pole stainless steel
Ø 25 / 18 mm, one-hand height-
adjustable 1070 x 1660 mm,
4 hooks, max 2 kg 8.4 lbs/hook,
glass and holder

Item No.: 3068 0000



MOTIONLINE
MOTIONLINE-E

supportLine

Item No. : 3351 0026

The *supportLine* mobile instrument table is designed to be an ergonomic aid to supplement treatment and surgeon's chairs.

**The practical
little helpers**



Technical specifications

Chassis

- Footprint 680 x 400 mm
- 4 castors ø 50 mm

Lifting column

- Height adjustment 73 – 98,5 cm

Stainless steel tray

660 x 540 mm

Upper frame

715 x 540 mm

Weight

17,5 kg

Max. load

10 kg

Subject to technical modifications.

The perfect addition for your OR

Pneumatic spring technology / foot pedal

The integrated pneumatic spring technology enables the instrument tray to be stopped and positioned smoothly at a suitable working height for the surgeon. Infinitely variable height adjustment via foot pedal.



supportLine plus



Item No. : 3351 0045

The *supportLine*'s maneuverability, optimised stability and resistance to tipping, its stainless steel design for the user's operating area and its hard-wearing, hygienic surfaces are designed specifically for versatile use in the operating room. The *supportLine plus* mobile instrument table is a 20 cm higher version.



Technical specifications

Chassis

- Footprint 680 x 400 mm
- 4 castors ø 50 mm

Lifting column

- Height adjustment 93 – 118,5 cm

Stainless steel tray

660 x 540 mm

Upper frame

715 x 540 mm

Weight

17,5 kg

Max. load

10 kg

Subject to technical modifications..

Tray

The removable, high-quality stainless steel tray is heat-resistant, easy to clean and disinfect and offers plenty of space for holding surgical instruments with an area of 54 cm x 66 cm.



Push handle / double castors

Its wide push handle and maneuverable double castors make the *supportLine* easy to position.



Disposables



The UFSK-OSYS hygiene supplies.
Efficient equipment protection - recommended by the manufacturer, because we know best what suits our products.

Desinfection wipes

stayClean wipes

Item No. : 3034 0015 Item No. : 3034 0017
Item No. : 3034 0016 Item No. : 3034 0018



Cover drapes

stayClean

Item No. : 3034 0014
Item No. : 3016 0001



Hand lotion

staySoft

Item No. : 3034 0020



Preventive Disposables

The UFSK-OSYS hygiene supplies protect and preserve the patient, the user and also the surgical equipment.

Paper roll

stayClean roll

Item No. : 3034 0021



stayClean wipes

Desinfection wipes

The impregnated all-round disinfection wipe



Gentle & powerful in one - based on the active principle of alkylamines

You will be delighted - Not all fleece is the same!

NEW in Premium-fleece quality with super-soft cotton haptics

Successfully tested:

100 % material compatible with UFSK-OSYS treatment & surgeon's chairs



The ultimate alcohol-free wet wipe

for surface disinfection of operating systems!

stayClean wipes are

- excellently suitable for the artificial leather, metal and plexiglass surfaces
- ready for use - no time-consuming mixing & waiting time
- environmentally friendly - reusable system of dispenser box & refill bag

stayClean wipes are convincing as

- very good wetting properties
- without droplet and stripe formation
- residue-free application
- high-yield, tear-resistant and lint-free
- safe decontamination due to even release of active ingredient
- broad spectrum of activity - VAH-certified

advantages

- Ready-to-use disinfection wipes (wipe sizes: 17 x 26 cm, 21 x 26 cm)
- impregnated with alcohol-free active ingredient solution based on alkylamine, VAH-certified
- Aldehyde-free, phenol-free, without QAV-additive
- without unpleasant solvent vapours
- without residues
- CE-approved, for surface disinfection of medical devices

- Very good material compatibility: suitable for artificial leather, acrylic glass and metal surfaces (anti-corrosive)
- universally applicable for medical devices with mixed surfaces
- Premium fleece quality, non-fluffy, in robust strength 50 g/m²
- Super-soft, thanks to very high cotton content
- Ergonomic & effective & practical in use
- Fleece on natural material basis - produced by German professionals

The fast & effective solution - one wipe for different surface materials

Spectrum of efficiency

- ✓ bactericidal (incl. TBC), suitable for hospitalism prophylaxis
- ✓ yeasticidal
- ✓ Limited virucidal according DVV carriertest, 2012;
- ✓ against enveloped viruses
e.g. HBV, HCV, HIV, Influenza and SARS-CoV-2
- ✓ with remanence effect (reduction of new contamination)
- ✓ Active ingredient solution – VAH-certified – surface disinfection

Composition

< 2 % sec. and tert. alkylamines, water deion., fragrances, solubilizers

Contact time

Decontaminating effect	Contact time in minutes
bactericidal (EN 13727)	5 Min.
yeasticidal (EN 13624)	
bactericidal, yeasticidal (EN 16615)	
tuberculocidal (VAH-Methode 14.1)	
imited virucidal (EN 14476), enveloped viruses	
Information in case of an epidemic:	
un-enveloped noroviruses (DVV carriertest, 2012)	120 Min.

Shelf life

24 months, after opening: 1 month, when properly closed dispenser box system

Distribution

EU-wide

Status

Medical device, CE-conform, VAH-certified

Gentle & powerful in one

available in two sizes

Starter set (21 x 26 cm)
2 empty dispenser boxes
and 2 refill bags á 70 wipes
(impregnated)
Item No.: 3034 0015

Refill bag (21 x 26 cm)
12 refill bags á 70 wipes
(impregnated)
Item No.: 3034 0016



Starter set (17 x 26 cm)
1 empty dispenser box
and 1 refill bag á 250 wipes
(impregnated)
Item No.: 3034 0017

Refill bag (17 x 26 cm)
4 refill bags á 250 wipes
(impregnated)
Item No.: 3034 0018



stayClean

Cover drapes

Item No. : 3034 0014

200 x 73 cm, box á 160 Pieces, 4x40 Pieces

Item No. : 3016 0001

100 x 73 cm, box á 240 Pieces, 4x60 Pieces

Treatment chairs - ready for the next patient in no time.
Perfect fit - available in two sizes.

**Equipment protection
made easy**



Equipment protection - cover drapes for treatment chairs

Perfect protection of the equipment

- Protection against corrosion
- 100 % waterproof rear side, absorbent face
- Minimized soiling of the upholstery
- No sliding thanks to the hood

Hygienic protection for the patient

- Disposable product, hygienically packaged
- Pleasant soft feeling due to fleece flocking
- Precise equipment protection including barrier function
- Absorbent & tear-resistant



The functional disposable cover drape

Advantages

- Easy replacement of used drapes
- Secure fastening thanks to hood, straps, and pre-punched holes
- Enormous time savings
- Low purchasing costs



4 in 1 box
The new dispenser boxes are space-saving and fit on every surgery warehouse shelf.
4 x 40 Pieces / 4 x 60 Pieces

Application



staySoft

Hand lotion

Item No. : 3034 0020
Carton á 7 x 35 ml

For the daily hand care of stressed skin
- natural care & protection against dehydration!

- gentle care & protection against dehydration
- EXTRA: with 25% skin active herbs
- SPECIAL: activated herbal power** through fermentation



More natural
skin health



Bioactive herbal power**

through gentle fermentation

Chamomile	(<i>Chamomilla off.</i>)	calming
Marigold	(<i>Calendula rec.</i>)	anti-irritating
Witch hazel	(<i>Hamamelis virg.</i>)	re-conditioning
Horsetail	(<i>Equisetum arv.</i>)	tightening
Balm	(<i>Melissa off.</i>)	refreshing
Thyme	(<i>Thymian vulg.</i>)	stimulating

Effective skin calming and regeneration

25% concentrated elemental force of fermented herbs

Camomile, Calendula & Co** - refined in herbal essences, produced according to old tradition & recipe, by natural fermentation, in elaborate manufacture, gently and lovingly extracted.

Well-rounded with a pleasantly unobtrusive, fresh scent of fine essential oils - with Ylang-Ylang-Oil, Blood orange oil, Lime- and Lemon oil **without synthetic fragrances and preservatives!**



Luxurious oil-in-water based lotion

- with moisturizing **Hyaluronic acid**, regenerative **Allantoin**, pleasantly soothing **Jojoba-Oil** and lipid-regulating **Shea butter** for sustainable cell protection
- with skin vitamin B3 (niacin) to improve the barrier function of the skin
- pleasantly soft texture
- **staySoft** is absorbed very quickly - without being greasy!

Distribution

EU-wide

Status

Cosmetic product

stayClean roll

Paper roll

Item No. : 3034 0021
Carton á 9 pieces (á 50 cm x 50 m)

The *stayClean roll* tear-off cloths protect your treatment chairs & tables perfectly and quickly ensure hygiene. The perforated cellulose patient pads are particularly user-friendly as they can be easily unrolled and torn off, allowing controlled consumption.



Efficient
& secure

Example of use

500 *ECO*
+ Paper roll holder
+ *stayClean roll*

Item No. : 1500 0008
Item No. : 3351 1031
Item No. : 3034 0021

The practical disposable cloth from the roll

Perfect protection of the devices & practical hygiene protection for patients

- Thanks to its short perforation, the *stayClean roll* is suitable for all common treatment chairs & tables
- The 2-layer pulp is very absorbent and excellently suitable for everyday use for outpatient treatments
- The very soft and skin-friendly texture provides a pleasant feeling of lying and hygiene



Scope of delivery

9 rolls (á 50 cm x 50 m)
made of pure cellulose,
hygienically single packed

premiumLine



Our top models

As the fruit of our decades of experience in the field of ophthalmic and microsurgery, we have managed to design absolute high-end, top quality models. Allow yourself to be swept away by the innovative materials, the visionary shapes, the elegant design and the sophisticated extra functions.

Set new standards in your operating room!

Discover our *surgiForce* & *surgiForce light* models and allow yourself to be swept away by their economy, effectiveness and quality. These models stand for ultra-precise navigation within the operating field, sterile operation, and a comfortable, non-fatiguing work environment - for a work flow worthy being rated "Premium deluxe". They combine particularly well with our *premiumLine eyeForce* treatment chair.

Demand the best!

The "Preventive Technology" award reflects uncompromising lightweight construction, outstanding ergonomic operability and space-saving design. Back diseases of your operating theater staff are now a thing of the past. This is our contribution to effective health & safety in the workplace.



High end quality for microsurgery

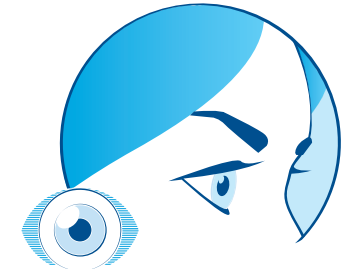
surgiForce

Dynamic seat (Illustration) Item No. : 2600 0002
Comfort seat Item No. : 2600 0004



surgiForce light

Dynamic seat (Illustration) Item No. : 2600 0005
Comfort seat Item No. : 2600 0006



Ophthalmic surgery



Neurosurgery



PREMIUM
LINE

surgiForce



Item No. : 2600 0002 with Dynamic seat (Illustration)

Item No. : 2600 0004 with Comfort seat

That is high tech & high precision.

The ultimate surgeon's chair for microsurgery.

Sophisticated engineering, design and function down to the smallest detail. Amazing range of armrest adjusting functions: Turn it, tilt it, rotate it, extend it - to support each of the surgeon's arm movements with the greatest of ease! Ultra-precise navigation within the operating field, sterile operation, and a comfortable, non-fatiguing work environment - for a work flow worthy being rated "Premium de luxe".



MED.TEC at its highest level

Double castors

The five high-grade double castors are smooth-running and rotated by 360 degrees. This means no-limits mobility, especially in confined operating room spaces. *surgiForce*'s central front castor in particular gives extra stability to keep the treating surgeons safely in place whenever they shift their bodyweight forward.



Chassis

The drive mechanism's base is made of cast aluminum. This means maximum stability and longevity and no-limits mobility. The material and workmanship meet the strictest sanitary requirements.



Plastic cover panels

The high-shine plastic cover panels with their scratch-resistant and impact-modified surface finish are extremely hygienic and easy to disinfect. Abrasion-resistant corner guards (orange) made of synthetic rubber take the stress out of maneuvering *surgiForce* even at close quarters to other medical equipment.



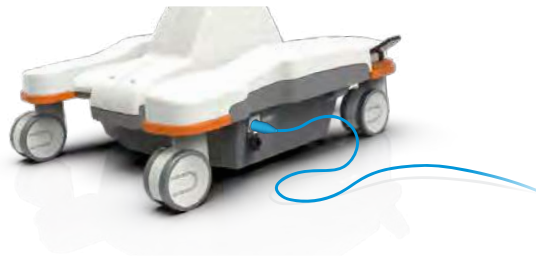
Mains-free operation

Accumulators

The charger-battery-control unit integrated in the drive mechanism permits mains-free operation at protective low voltage. Splash-protected charging socket on the bottom of the drive mechanism.

Braking system

The easy-to-reach and easy-to-use central brake acts on all four double castors to keep the *surgiForce* safely and reliably in the desired position.



Multi-function unit

Foot operated

To activate the multi-function unit, tap it with your foot. It allows the effortless powered height adjustments of the seats and armrests, independently of each other.

Intuitive footswitch operation of the multi-function unit for powered seat height and armrest adjustment. Activation is signaled by acoustic and visual signals.



Sterile operation

Black pedal:
seat height adjustment



Gray pedal:
arm height adjustment



Armrests with „de luxe“ feature



3D freedom of movement

High-precision, maintenance-free ball joint for full 360-degree range armrest movements around all axes. Ultra-lightweight guide system for fast, efficient and vibration-proof adjustment of individual underarm positions.

Need to readjust *surgiForce* while maintaining sterile conditions?

Not a problem! In addition to the footswitch, *surgiForce* features so-called "one-hand triggers" underneath the armrests. Lift them briefly to adjust the height!

Angled armrest support for increased freedom of armrest movement around the lateral axis.



Seating systems



Comfort

The seating system Comfort: With mechanical individual adjustment functions. For a correct, back-friendly sitting and working posture, the seat surface or the seat depth can be adjusted by a sliding mechanism located underneath the seat.



Dynamic

The seating system Dynamic: With autodynamic tilting mechanism. By shifting one's body weight, the lumbar support moves "automatically" in the backrest area. The intensity of ergonomic support can be adjusted underneath the seat.

Seat angle adjustment



Back angle adjustment



Back height adjustment



Dynamic-function



Lumbar support angle adjustment



Lumbar support height adjustment



Linear guides

To give you that extra margin of flexibility: Armrests with linear guides! Applying pressure with your forearm will make the arms "glide" effortlessly in longitudinal direction while letting go will stop them by self-locking mechanism - available as an option.



Armrests

Made of molded PUR foam - Pleasant to the touch, no slick leatherette cover - for guaranteed secure hold. Suitable for disinfectants.



Upholstery



Comfort

"Perline"
Page 111



Dynamic

"Stamskin top"
Page 110

Technical specifications

Lifting column

- Lifting height of the seat 200 mm
- Lifting height of the armrests 130 mm
- Electromotive adjustment via the foot control elements

Dimensions

- Max W x L x H (incl. armrests) 750 x 860 x 1270 mm

Chassis

- Castors ø 100 mm
- 5th castor ø 65 mm
- Central brake acting on all four castors
- Emergency stop button

Battery unit

- Lead-gel battery, 2 pcs. 12 V, 2,9 A
- Universal battery charger:
 - Input 100 - 240 V
 - Output 24 V

Sitzsysteme: Comfort (Dynamic)

- Min. sitting height 600 mm (620 mm)
- Max. sitting height 800 mm (820 mm)
- Seat position adjustment (forward/back) 120 mm
- Seat angle adjustment +6° (+12°)
- Back angle adjustment -10° (-16°)

Weight

74 kg

Max. load

150 kg

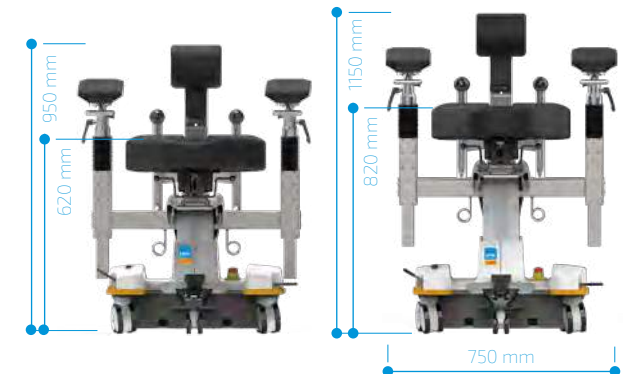
Techn. Änderungen vorbehalten.

Technical dimensions

Seating system Comfort



Seating system Dynamic



PREMIUM
LINE

surgiForce light



Item No. : 2600 0005 with Dynamic seat (Illustration)
Item No. : 2600 0006 with Comfort seat

surgiForce light - extraordinary technology and materials in typical **surgiForce** premium design, in combination with other control elements:

A clearly structured twin footswitch plus manually operated gas spring mechanisms in the arm supports - for surgeons wishing to precision-adjust their arm position with minimum fuss.



MED.TEC at its highest level

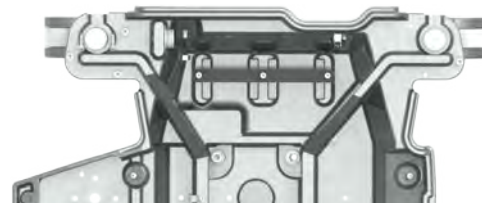
Double castors

The five high-grade double castors are smooth-running and rotated by 360 degrees. This means no-limits mobility, especially in confined operating room spaces. **surgiForce**'s central front castor in particular gives extra stability to keep the treating surgeons safely in place whenever they shift their bodyweight forward.



Chassis

The drive mechanism's base is made of cast aluminum. This means maximum stability and longevity and no-limits mobility. And the material and workmanship meet the strictest sanitary requirements.



Plastic cover panels

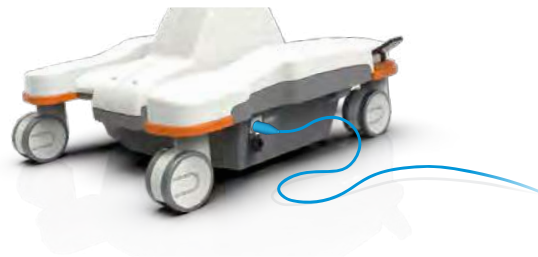
The mirror-finish plastic cover panels with their scratch-resistant and impact-modified surface finish are extremely hygienic and easy to disinfect.



Mains-free operation

Accumulators

The charger-battery-control unit integrated in the drive mechanism permits mains-free operation at protective low voltage. Splash-protected charging socket on the bottom of the drive mechanism.



Braking system

The easy-to-reach and easy-to-use central brake acts on all four double castors to keep the *surgiForce light* safely and reliably in the desired position.



Multi-function unit

Foot operated

Timeless footswitch design for UP/DOWN seat height adjustment with non-slip polyamide touch surfaces. Easy-to-reach brake levers on either side of the driving mechanism for centralized braking / unfettered maneuvering.



Abrasion-resistant corner guards (orange) made of synthetic rubber take the stress out of maneuvering *surgiForce light* even at close quarters to other medical equipment.

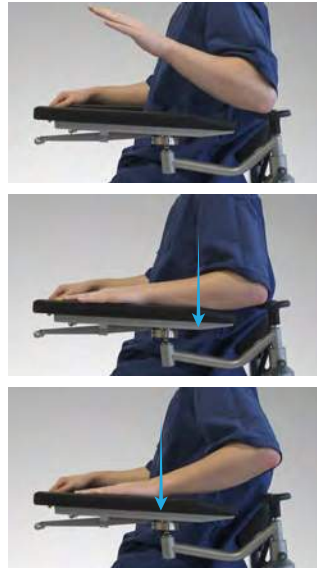
Armrests with gas-spring mechanism



3D freedom of movement

Armrest height is adjustable independently of seat height. It takes only simple rolling movement to manually control the gas spring mechanism.

Turning, tilting, rotating: The armrests have been designed for fast and unfussy 3D movements.



Need to readjust *surgiForce* while maintaining sterile conditions? Not a problem! In addition to the footswitch, *surgiForce* features so-called "one-hand triggers" underneath the armrests.



High-precision, maintenance-free ball joint for full 360-degree range armrest movements around all axes. Ultra-lightweight guide system for fast, efficient and vibration-proof adjustment of individual underarm positions.

Seating systems



Comfort

The seating system **Comfort**:
With mechanical individual adjustment functions. For a correct, back-friendly sitting and working posture, the seat surface or the seat depth can be adjusted by a sliding mechanism located underneath the seat.



Dynamic

The seating system **Dynamic**:
With autodynamic tilting mechanism. By shifting one's body weight, the lumbar support moves "automatically" in the backrest area. The intensity of ergonomic support can be adjusted underneath the seat.

Seat angle adjustment



Back angle adjustment



Back height adjustment



Dynamic-function



Lumbar support angle adjustment



Lumbar support height adjustment



Angled armrest support for increased freedom of armrest movement around the lateral axis.



Technical specifications

Lifting column

- Lifting height of the seat 200 mm
- Lifting height of the armrests 130 mm
- Electromotive adjustment via the foot control elements

Dimensions

- Max W x L x H (incl. armrests) 700 x 700 x 1270 mm

Chassis

- Castors ø 100 mm
- 5th castors ø 65 mm
- Central brake acting on all four castors
- Emergency stop button

Battery unit

- Lead-gel battery, 2 pcs. 12 V, 2,9 A
- Universal battery charger:
 - Input 100 – 240 V
 - Output 24 V

Sitzsysteme: Comfort (Dynamic)

- Min. sitting height 600 mm (620 mm)
- Max. sitting height 800 mm (820 mm)
- Seat angle adjustments +6°(+12°)
- Back angle adjustments -10°(-16°)

Weight

71 kg

Max. load

150 kg

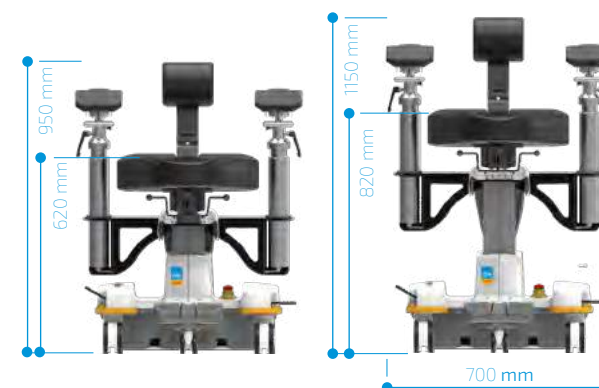
Techn. Änderungen vorbehalten.

Technical dimensions

Seating system Comfort



Seating system Dynamic



Upholstery



Comfort

"Periline"
Page 111



Dynamic

"Stamskin top"
Page 110

PREMIUM
LINE

Accessories



surgiForce
Dynamic seat Item No. : 2600 0002



surgiForce
Comfort seat Item No. : 2600 0004



surgiForce light
Dynamic seat Item No. : 2600 0005



surgiForce light
Comfort seat Item No. : 2600 0006



Footswitch plate adapter

Item No.: 3317 0000



surgiForce
Arm rest pair with one-hand release for neurosurgery (angular), retrofit kit

Item No.: 3351 1010



Arm rest pair with linear guide and one-hand release, factory-fitted

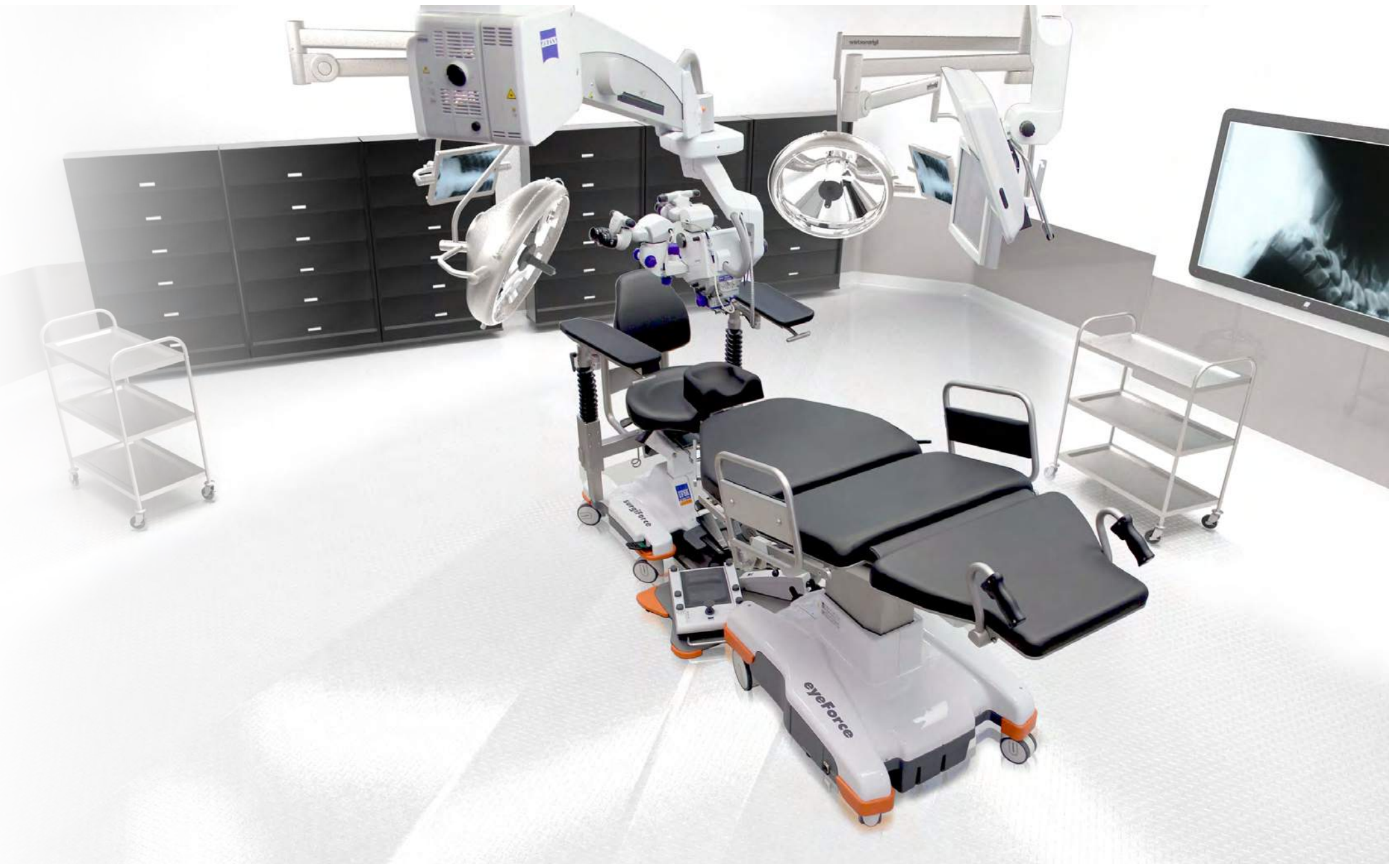
Item No.: 3351 1008



surgiForce light
Seat adjustment mechanism for optimum access to the operating field, factory-fitted

Item No.: 3351 1013

PREMIUM
LINE



PREMIUM
LINE

performanceLine

Our classics

They represent proven and time-tested technology in a modern design, they are deliberately low-tech, and they offer an extremely attractive price-performance ratio.

Space-saving design and outstanding maneuverability coupled with a lean range of easy-to-manage functions.

Do you want flexible use in confined spaces with power-supply independent battery operation?

Then you should go for our classic:

The **surgiTrend** and **surgiLine** models - perfect in combination with our **performanceLine**, 500 **XLE**, 500 **XLE comfort** and 500 **bariatric** treatment chairs.

performanceLine systems are designed for user satisfaction

Designed for continuous use in serially equipped operating theaters with high patient turnover, the **performanceLine** satisfies every user thanks to its easy handling before, during and after the surgery.

An award-winning "Preventive Technology", the **performanceLine** works hard to protect your surgical staff from back problems, thanks to its lightweight construction and easy maneuverability.



**Functionality
in a nutshell**

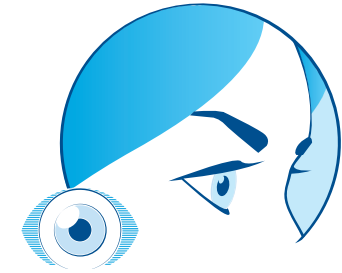
surgiTrend

Comfort seat (Illustration) Item No. : 2200 0012
Dynamic seat Item No. : 2200 0010



surgiLine

Formed seat (Illustration) Item No. : 2200 0008
Comfort seat Item No. : 2200 0013



Ophthalmic surgery
Microsurgery

surgiTrend



Item No. : 2200 0012 with Comfort seat (Illustration)
 Item No. : 2200 0010 with Dynamic seat

For back protection and maximum work flexibility in confined spaces. Sophisticated, space-saving drive mechanism with reduced size for ample foot space combines tilt stability with easy and smooth maneuvering. Outstanding sitting comfort and a wide range of adjusting functions allow every surgeon to find his or her personal best and healthiest working position for any work scenario. Available in two seating system types: Comfort or Dynamic.



Seating systems



Comfort

Seat angle adjustment



Back angle adjustment



Back height adjustment



Upholstery



Comfort

"Periline"
Page 111



Dynamic

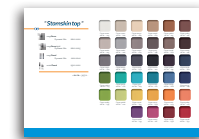
Dynamic-function



Lumbar support angle adjustment



Lumbar support height adjustment



Dynamic

"Stamskin top"
Page 110

Armrests

- Stable, ergonomically shaped armrests with ample support surface (350 mm x 120 mm)
- Height-adjustable and equipped with a ball joint for 360-degree rotation
- Designed for personalized adjustment to the surgeon
- Optionally available with linear guide and one-hand release



Chassis

- 4 high-quality, smooth-running double castors
- 5th castors for added resistance to tipping
- Optimized foot space
- Central braking system effective on 4 castors
- Integrated foot keypad panel for seat-height adjustment
- Power supply-independent battery box with emergency stop button



Technical specifications

Lifting column

- Drive 3,000 NIPXmm
- Lifting height 200 mm

Chassis

- W x L incl. braking system / foot keypad 600 x 650 mm
- Castors ø 100 mm
- 5th castors ø 65 mm
- Central brake acting on all four castors
- Emergency stop button

Battery unit

- Battery box with 2 batteries (lead-gel) 2 x 12 V, 7,2 Ah (pollution free, maintenance-free, cadmium-free)
- Universal battery charger: Input 100 – 240 V Output 24 V

Seating system: Comfort (Dynamic)

- Min. sitting height 550 mm (600 mm)
- Max. sitting height 750 mm (800 mm)
- Seat angle adjustments +5° / -5° (+12°)
- Back angle adjustments +5° / -25° (-16°)

Weight

45 kg

Max. load

150 kg

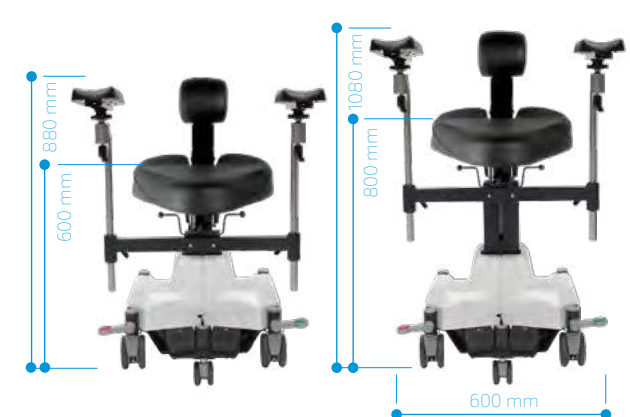
Subject to technical modifications.

Technical dimensions

Seating system Comfort



Seating system Dynamic



surgiLine

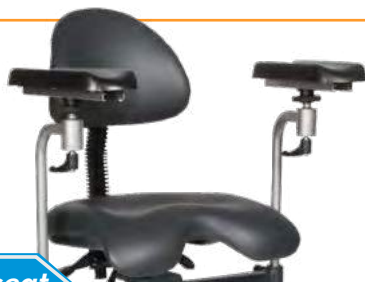


Item No. : 2200 0008 with Formed seat (Illustration)
 Item No. : 2200 0013 with Comfort seat

The quintessential timeless surgeon chair for microsurgery. The *surgiLine* is a tried and tested classic and a reliable partner in the operating room. It has a rugged steel frame yet is easy to maneuver thanks to its high-grade double castors. The seat and backrest are height-adjustable and promote a healthy sitting posture thanks to *surgiLine*'s special lumbar support. The armrests can be individually adjusted for each surgeon. Available in two seating system types: Formed seat or Comfort.



Seating systems



Formed seat

Seat angle adjustment



Back angle adjustment



Back height adjustment



Upholstery



Formed seat

"Tundra Skai"
Page 108



Comfort

Seat angle adjustment



Back angle adjustment



Back height adjustment



Comfort

"Periline"
Page 111



Armrests

- Stable, ergonomically shaped armrests with ample support surface (350 mm x 120 mm)
- Height-adjustable and equipped with a ball joint for 360-degree rotation
- Designed for personalized adjustment by the surgeon
- Optionally available with linear guide and one-hand release



Chassis

- Powder-coated tubular steel frame with sanitary, scratch-resistant high-shine plastic cover panels
- Central braking system effective on 4 castors
- Integrated foot keypad panel for seat height adjustment
- Power supply-independent battery box with emergency stop button



Technical specifications

Lifting column

- Drive 3,000 NIPXmm
- Lifting height 200 mm

Chassis

- W x L incl. braking system / foot keypad 600 x 640 mm
- Castors ø 100 mm
- Central brake acting on all four castors
- Emergency stop button

Battery unit

- Battery box with 2 batteries (lead-gel) 2 x 12 V, 7,2 Ah (pollution free, maintenance-free, cadmium-free)
- Universal battery charger: Input 100 – 240 V Output 24 V

Seating system: Formed seat (Comfort)

- Min. sitting height 530 mm (550 mm)
- Max. sitting height 730 mm (750 mm)
- Seat angle adjustments +6° / -5° (+5° / -5°)
- Back angle adjustments +5° / -18° (+5° / -25°)

Weight

45 kg

Max. load

150 kg

Subject to technical modifications.

Technical dimensions

Seating system Formed seat



Seating system Comfort



Accessories



surgiTrend
Dynamic seat Item No. : 2200 0010



surgiTrend
Comfort seat Item No. : 2200 0012



surgiLine
Formed seat Item No. : 2200 0008



surgiLine
Comfort seat Item No. : 2200 0013



Backup battery

Item No.: 3047 0000



surgiTrend
Footswitch plate adapter

Item No.: 3351 1011



surgiLine
Footswitch plate adapter

Item No.: 3351 0014



Arm rest pair
with linear guide and
one-hand release,
factory-fitted

Item No.: 3351 006



Arm rest pair
with one-hand release,
factory-fitted

Item No.: 3351 1004

PERFORMANCE
LINE

UFSK
INTERNATIONAL
SYS



PERFORMANCE
LINE

Assistant's chairs



Our operating room assistant for eye and microsurgery. Available with various seat and adjustment systems - to meet your personal needs. For a healthy back & sitting comfort.

An asset to the team in a wide range of configurations

performanceLine

assistTrend

Item No. : 2500 0002



efficiencyClass

assistPro F

Item No. : 2400 0005



assistPro H

Item No. : 2400 0009



easyPro F

Item No. : 2400 0010



easyPro H

Item No. : 2400 0006



easyPro R

Item No. : 2400 0013



functionalClass

assistLine

Item No.: 2400 0015



assistTrend

Item No. : 2500 0002

The ergonomic assistant chair.
The innovation for a healthy back.

Chassis

- High-grade 5-arm aluminium pedestal
- Excellent handling characteristics thanks to smooth-running double castors
- Optionally available with braking double castors
- Supports loads up to 130 kilograms

Seating system

Dynamic seat

- Innovative seating system Dynamic for a healthy lower back
- Height and angle adjustable lumbar support
- Supports a correct, back-friendly sitting posture
- Durable, easy-care seat cover made of medical-grade artificial leather to meet the highest OR requirements



The seating system Dynamic has a lumbar support which is activated automatically by the surgeon's bodyweight. The intensity of ergonomic support can be adjusted underneath the seat.



Technical specifications

Lifting column

- Height adjustment 580 - 780 mm
- For body height of 1,75m - 1,95m

Chassis

- Five legged chassis ø 585 mm
- Castors ø 65 mm

Dynamic seat

- D x W x H incl. backrest 390 x 440 x 410 mm
- Seat / back angle adjustment +12°

- Weight 7,5 kg

- Max. load 130 kg

Subject to technical modifications.

Flexibility

- Sterile, comfortable height adjustment via foottriggered gas pressure spring
- Flexible height adjustment from 57 to 77 cm
- Reduces neck and back tension caused by prolonged sitting
- Optionally available with arm supports
- Helps maintain sterile conditions



"Stamskin top"



Dynamic

Page 110

assistPro

assistPro F Item No. : 2400 0005
 assistPro H Item No. : 2400 0009

The perfect assistant's chair for your OR.

Chassis

- High-grade 5-arm aluminum pedestal
- Excellent handling characteristics thanks to smooth-running double castors
- Optionally available with braking double castors
- Supports loads up to 130 kilograms



Seating system

Comfort Seat

- Ergonomically shaped seat and backrest
- Height and angle adjustable lumbar support
- Supports a correct, back-friendly sitting posture



- Durable, easy-care seat cover made of medical-grade artificial leather to meet the highest OR requirements
- Optionally available with electrically conductive upholstery



assistPro F foot trigger
sterile height adjustment



assistPro H manual trigger
classic height adjustment



Technical specifications

Lifting column

Height adjustment	
- assistPro F	530 - 730 mm
- assistPro H	520 - 720 mm

Chassis

- Five legged chassis	ø 585 mm
- Castors	ø 65 mm

Comfort seat

- D x W x H incl. backrest	385 x 425 x 540 mm
- Seat angle adjustment	+5°/-5°
- Back angle adjustment	+5°/-25°

Weight

assistPro F	12 kg
assistPro H	11 kg

Max.load

130 kg

Subject to technical modifications.

Flexibility

Variants

- Sterile, comfortable height adjustment via foottriggered gas pressure spring (*assistPro F*)
- Classic seat height adjustment via manual trigger underneath the seat (*assistPro H*)
- Flexible height adjustment from 52 to 71.5 cm
- Reduces neck and back tension caused by prolonged sitting
- Optionally available with arm supports (*assistPro F*)



Comfort

"Periline"
Page 111

easyPro



easyPro F Item No. : 2400 0010
 easyPro H Item No. : 2400 0006
 easyPro R Item No. : 2400 0013

The comfortable assistant chair.



Seating system



easyPro F



easyPro H



easyPro R

- Ergonomically shaped, ultra comfortable, large-surface seat element
- Comfort upholstery
- Durable, easy-care seat cover made of medical-grade artificial leather to meet the highest OR requirements

Chassis

- High-grade 5-arm aluminum pedestal
- Excellent handling characteristics thanks to smooth-running double castors
- Optionally available with braking double castors
- Supports loads up to 130 kilograms

Technical specifications

Lifting column

Height adjustment	
easyPro F	510 - 710 mm
easyPro H	500 - 700 mm
easyPro R	520 - 700 mm

Chassis

- Five legged chassis	ø 585 mm
- Castors	ø 65 mm

Comfort Seat

- D x W x H	385 x 425 x 100 mm
- Seat angle adjustment	+5° / -5°
easyPro H + easyPro F	

Weight

9 kg

Max. load

130 kg

Subject to technical modifications.

Flexibility

Variants

- Sterile, comfortable height adjustment via foottriggered gas pressure spring (easyPro F)
- Classic seat height adjustment via hand trigger (easyPro H) or hand-operated ring (easyPro R) underneath the seat
- Flexible height adjustment from 50 to 70 cm (easyPro F/H) and 52 to 70 cm (easyPro R)



Comfort

"Periline"

Page 111

assistLine



Item No. : 2400 0015

The one with the cushy saddle seat.

Chassis

- High-grade 5-arm aluminum pedestal
- Excellent handling characteristics thanks to smooth-running double castors
- Optionally available with braking double castors
- Supports loads up to 130 kilograms



Seating system

Saddle seat

- Ergonomic saddle seat
- Allows the assistants to sit in comfort
- Prevents tension pain and fatigue

- Supports blood circulation
- Durable, easy-care seat cover made of medical-grade artificial leather to meet the highest OR requirements



Technical specifications

Lifting column

- Height adjustment 520 - 720 mm

Chassis

- Five legged chassis \varnothing 585 mm
- Castors \varnothing 65 mm

Saddle seat

- D x W x H 350 x 425 x 180 mm
- Seat angle adjustment $+5^\circ/-5^\circ$

Weight 7.5 kg

Max. load 130 kg

Subject to technical modifications.

Flexibility

- Classic seat height adjustment via hand trigger underneath the seat
- Flexible height adjustment from 54.5 cm to 73.5 cm
- Small size for flexible use in OR's and labs



Saddle seat

"Tundra Skai"

Page 108

Accessories



assistTrend
Item No. : 2500 0002



assistPro F
Item No. : 2400 0005



assistPro H
Item No. : 2400 0009



assistTrend
Arm rest pair
incl. traverse

Item No.: 3300 0000



assistPro F
Arm rest pair
incl. traverse

Item No.: 3351 0038



easyPro F
Item No. : 2400 0010



easyPro H
Item No. : 2400 0006



easyPro R
Item No. : 2400 0013



assistLine
Item No. : 2400 0015














Double rimmed caster
65 mm
with braking function










Item No.: 3351 0040



Regulatory information on the equipment's registration as a medical device



UFSK-Item No.	Medical device Category	Active medical device	Medical device CE conformity	Performance characteristics in accordance with basic standards	Electrical safety
 eyeForce 1800 0000	Treatment chair	DC battery operated	in the EU: Class I Conformity assessment procedure in accordance with Annexes II and III, Regulation (EU) 2017/745, Art. 52 (7) (formerly: Annex VII, Directive 93/42/EWG)	DIN EN 60601-1 Protection class II, Type B	
 500 XLE 1500 0006					
 500 XLE comfort 1500 0006 + 3037 0080					
 500 bariatric 1500 0002					
 500 XLS 1500 0005					
 500 ECO 1500 0008					
 motionLine-E 1700 0001	Transport- and relaxing chair	main connection, via integrated power supply (100-240V) incl. isolating transformer	in the US / FDA: Class I Conformity assessment in accordance with 21 CFR Part 886, 510(k) Exempt	DIN EN 60601-1, DIN EN 60601-1-2	DIN EN 60529 Degree of Protection IP24
 surgiForce 2600 0002 2600 0004	Surgeon's chair	DC battery operated			
 surgiForce light 2600 0005 2600 0006					
 surgiTrend 2200 0010 2200 0012					
 surgiLine 2200 0008 2200 0013					

	UFSK-Item No.	Medical device Category	Active medical device	Medical device CE conformity	Quality / performance characteristics and equipment safety
	<i>motionLine</i> 1700 0000	Transport- and relaxing chair	pneumatically adjustable	in the EU: Class I	in accordance with Regulation (EU) 2017/745, Art. 52 (7) Technical Safety Inspection once per year
	<i>400 XL</i> 1400 0001	Treatment table	hydraulically adjustable		
	<i>assistTrend</i> 2500 0002	Assistant's chair	pneumatically adjustable	in the EU: Conformity assessment procedure in accordance with Annexes II and III, Regulation (EU) 2017/745, Art. 52 (7) (formerly: Annex VII, Directive 93 / 42 / EWG)	
	<i>assistPro F</i> 2400 0005				
	<i>assistPro H</i> 2400 0009				
	<i>easyPro F</i> 2400 0010				
	<i>easyPro H</i> 2400 0006				
	<i>easyPro R</i> 2400 0013				
	<i>assistLine</i> 2400 0015				

Colour cards



Customize the upholstery of your products to colour-coordinate them with your workplace environment.



The printed colours may differ slightly from the original colours. If you wish to receive original colour charts, please contact us at info@ufsk-osys.com.

Example: standard version



F6461197
Item No.: 3037 0052



F6461205
Item No.: 3037 0056



500 *XLE* comfort

Item No.: 1500 0006
+ 3037 0080

Examples of colour combinations



F6461357
Item No.: 3037 0060



F6461454
Item No.: 3037 0063



F6461542
Item No.: 3037 0069



F6461357
Item No.: 3037 0060



F6461453
Item No.: 3037 0062



F6461198
Item No.: 3037 0134



"Tundra skai"



eyeForce 1800 0000



500 XLE 1500 0006



500 XLE comfort 1500 0006
+ 3037 0080



500 bariatric 1500 0002



500 XLS 1500 0005



500 ECO 1500 0008



400 XL 1400 0001



surgiLine Formed seat 2200 0008



assistLine 2400 0015



motionLine 1700 0000



motionLine-E 1700 0001

+ Item No.: 30370....



F6461198
Item No.:134



F6461210
Item No.:057



F6461636
Item No.:094



F6461230
Item No.:058



F6461610
Item No.:153



F6461495
Item No.:067



F6461453
Item No.:062



F6461196
Item No.:051



F6461204
Item No.:055



F6461273
Item No.:006



F6461338
Item No.:008



F6461456
Item No.:001



F6461581
Item No.:073



F6461496
Item No.:068



F6461609
Item No.:076



F6461608
Item No.:075



F6461550
Item No.:070



F6461288
Item No.:007



F6461354
Item No.:011



F6461350
Item No.:010



F6461357
Item No.:060



F6461195
Item No.:050



F6461197
Item No.:052



F6461205
Item No.:056



F6461356
Item No.:059



F6461381
Item No.:119



F6461199
Item No.:054



F6461454
Item No.:063



F6461557
Item No.:072



F6461556
Item No.:071



F6461455
Item No.:064



F6461543
Item No.:109



F6461343
Item No.:009



F6461542
Item No.:069



F6461607
Item No.:074



F6461457
Item No.:065



F6461458
Item No.:066

"Pandoria plus"



eyeForce

1800 0000



500 XLE

1500 0006



500 XLE comfort

1500 0006
+ 3037 0080



500 bariatric

1500 0002



500 XLS

1500 0005



500 ECO

1500 0008



400 XL

1400 0001



weiß F6413046
Item No.:053



hellbeige F6413047
Item No.:141



kiesel F6413048
Item No.:158



birke F6413049
Item No.:159



smoke F6413050
Item No.:221



silbergrau F6413075
Item No.:275



platin F6413053
Item No.:161



anthrazit F6413076
Item No.:276



schwarz F6413052
Item No.:170



schoko F6413051
Item No.:160



gletscher F6413055
Item No.:162



sky F6413074
Item No.:277



royal F6413056
Item No.:163



smaragd F6413073
Item No.:278



kaktus F6413077
Item No.:281



feuer F6413058
Item No.:166



kirsche F6413079
Item No.:279



fuchsia F6413078
Item No.:280



mais F6413057
Item No.:164



limone F6413054
Item No.:165

+ Item No.: 3037 0136

+ Item No.: 3037 0...

"Stamskin top"



surgiForce
Dynamic seat 2600 0002



surgiForce light
Dynamic seat 2600 0005



surgiTrend
Dynamic seat 2200 0010



assistTrend 2500 0002

+ Item No.: 30370....



F4340-10120
Item No.:023



F4340-07422
Item No.:016



F4340-20130
Item No.:084



F4340-20156
Item No.:207



F4340-50622
Item No.:215



F4340-50623
Item No.:216



F4340-20162
Item No.:205



F4340-20161
Item No.:206



F4340-20150
Item No.:204



F4340-5015
Item No.:198



F4340-07496
Item No.:046



F4340-20129
Item No.:146



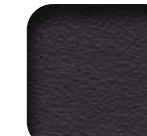
F4340-07432
Item No.:002



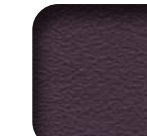
F4340-20154
Item No.:208



F4340-07445
Item No.:030



F4340-00002
Item No.:021



F4340-50621
Item No.:199



F4340-07436
Item No.:020



F4340-50620
Item No.:213



F4340-50454
Item No.:210



F4340-5347
Item No.:209



F4340-20157
Item No.:211



F4340-07459
Item No.:028



F4340-10295
Item No.:044



F4340-07485
Item No.:034



F4340-50618
Item No.:220



F4340-07476
Item No.:035



F4340-07477
Item No.:036



F4340-20127
Item No.:079



F4340-50619
Item No.:214



F4340-07480
Item No.:039



F4340-20149
Item No.:212



F4340-07479
Item No.:038



F4340-07478
Item No.:037

"Periline"



surgiForce
Comfort seat 2600 0004



surgiForce light
Comfort seat 2600 0006



surgiTrend
Comfort seat 2200 0012



surgiLine
Comfort seat 2200 0013



assistPro F 2400 0005



assistPro H 2400 0009



easyPro F 2400 0010



easyPro H 2400 0006



easyPro R 2400 0013



kastanie 015817
Item No.:240



light brown 016037
Item No.:239



creme 015812
Item No.:225



weiß 010881
Item No.:224



stein 015813
Item No.:236



saphir 015814
Item No.:231



delft 010766
Item No.:241



antistatisch schwarz
Item No.:223



schwarz 011499
Item No.:235



anthracit 016046
Item No.:234



azur 015815
Item No.:230



aubergine 016041
Item No.:229



lavendel 016042
Item No.:228



rot 010878
Item No.:238



orange 016040
Item No.:237



kiwi 015816
Item No.:233



lime green 016043
Item No.:232



lemon 016039
Item No.:226



safran 010879
Item No.:227

+ Item No.: 30370...

The printed colours may differ slightly from the original colours. If you wish to receive original colour charts, please contact us at info@ufsk-osys.com.

UFSK-International OSYS GmbH



To learn more about us and see the latest references of national and international eye clinics, please go to

www.ufsk-osys.com



The future is mobile.

Upgrade your OR to perfection.



eyeForce



500 XLE



500 XLE comfort



500 bariatric



500 XLS



500 ECO



400 XL



motionLine



motionLine-E



surgiForce



surgiForce light



surgiTrend



surgiLine



stayClean wipes



stayClean



staySoft



stayClean roll



assistTrend



assistPro F



assistPro H



easyPro F



easyPro H



easyPro R



assistLine



supportLine



supportLine plus

CONTACT US



UFSK-International OSYS GmbH
Kirchhoffstraße 1
93055 Regensburg
Germany

Phone +49(0)941 78862 15
Fax +49(0)941 78862 35
Mail info@ufsk-osys.com
Web ufsk-osys.com

MADE IN GERMANY
Design | Construction | Manufacturing