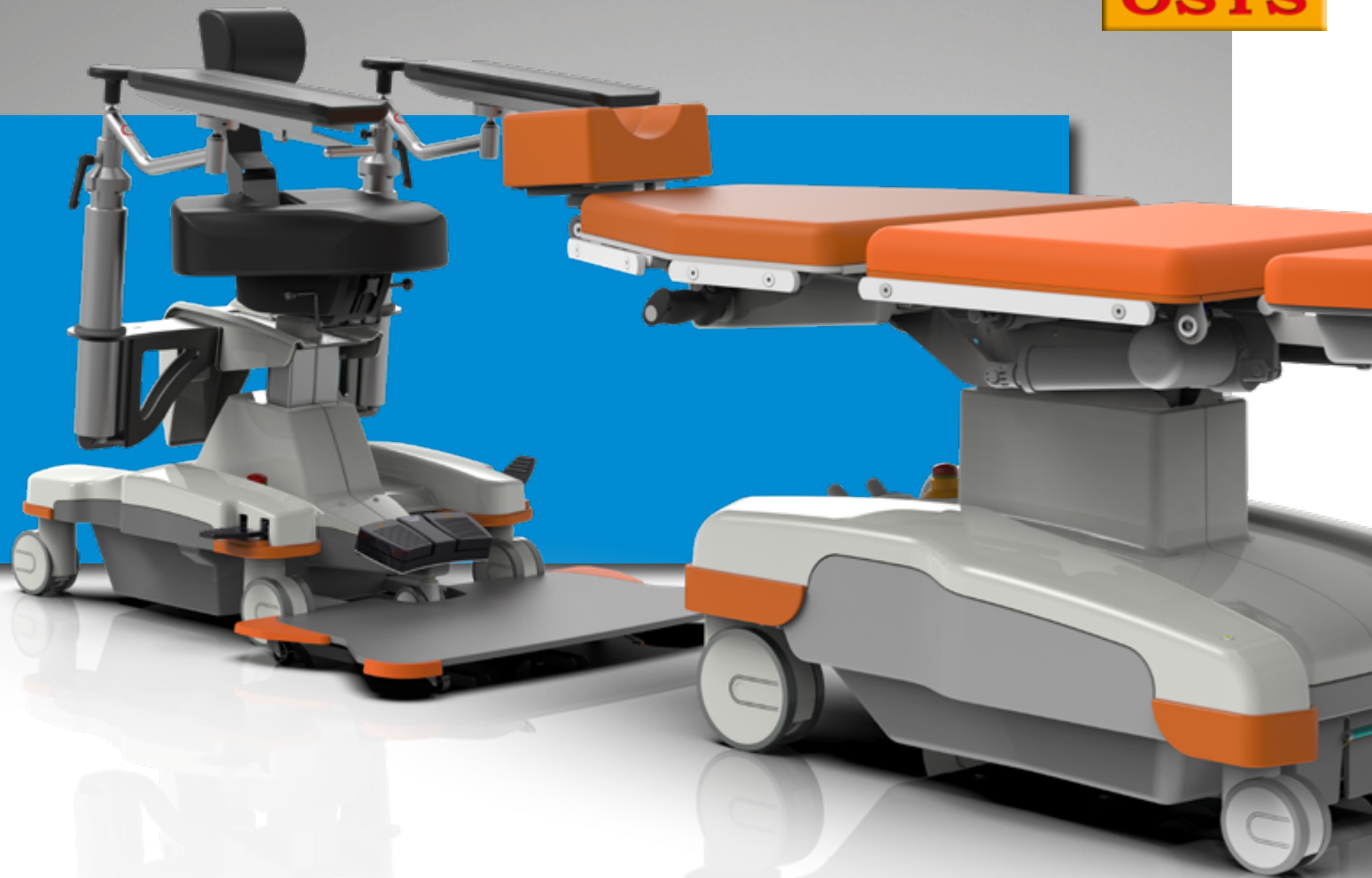




# SURGEON'S CHAIRS

EYE- AND MICROSURGERY  
FOR SURGEONS AND ASSISTANTS





UFSK-International OSYS GmbH, the world's leading manufacturer of mobile surgery and treatment systems for ophthalmic, neuro- and microsurgery, is a supplier of specialty products from proprietary development.

This owner-managed company has a reputation for responding fast and flexibly to customer needs and requirements. For over 20 years now, the company has been developing high-grade mobile eye surgery tables and surgeon stools manufactured to the highest quality standards in cooperation with internationally renowned ophthalmic surgeons. The product portfolio delivers perfection, safety and innovation for doctors, assistants and patients alike.

Discover them for yourself!

Jürgen Scherrieble



Christian Scherrieble



## Content

Precision and Efficiency in Microsurgery  
even at high patient turnover

### About Us

UFSK-OSYS  
Global Presence  
Internationality and Development  
Innovation and Know-how

06-07

### Surgeon's Chairs

surgiForce	10-17
surgiForce Light	18-25
surgiTrend	26-29
surgiLine	30-33

### Assistant's Stools

assistTrend	36-37
assistPro F und assistPro H	38-39
easyPro F, easyPro H und easyPro R	40-41
assistLine	42-43



Surgeon's Chairs and stools for Assistants from UFSK-International OSYS have been scientifically developed (based on empiric studies) to specifically meet the needs of all surgeon's who struggle with lower back and neck complaints, disc problems, or fatigue symptoms due to bad posture.

- Reducing your back pain.
- adequate seat tilt
  - lumbar support
  - high-precision armrests for individual underarm positioning

Our chairs and stools are all designed according to these principles.





UFSK-International OSYS GmbH with its registered place of business in Regensburg is the world's leading manufacturer of mobile surgery and treatment systems for ophthalmic surgery and microsurgery. As a member of the globally present UFSK Group, UFSK-International OSYS GmbH is doing business as an independent entity and is operating independently on the market.

For over 20 years now, UFSK-OSYS has been developing its products in cooperation with internationally renowned ophthalmic surgeons, true to the motto:

„Designed by Clinicians - for Clinicians“



„Designed by Clinicians - for Clinicians“

Exclusive mobile eye surgery tables and surgeon stools. Considering the very high patient turnover in this medical field and the global use of our products, we want to offer our customers a service friendly technology designed to state-of-the-art quality standards.

„Made in Germany“ - all over the world

It is these principles by which our highly-qualified professional staff, supported by state-of-the-art production technologies, strives to continually optimize the quality of our products and rightfully attaches the precious „Made in Germany“ seal of quality to every UFSK-OSYS product. Certification in accordance with ISO 13485 underscores the high priority of quality assurance and quality optimization upheld by our organization.

Visionary developments - because we care

One of our products' most outstanding characteristic is their MOBILITY - i.e. their easy maneuverability by a single person - which is particularly indispensable for „Mobile Table Rotation“, for back-friendly and efficient working. It is precisely this quality which makes our products trend-setting, market-leading, and superior to conventional industry solutions.

- Innovation - Safety - Perfection - Efficiency
- Optimized price-performance ratio
- Mobility and Comfort

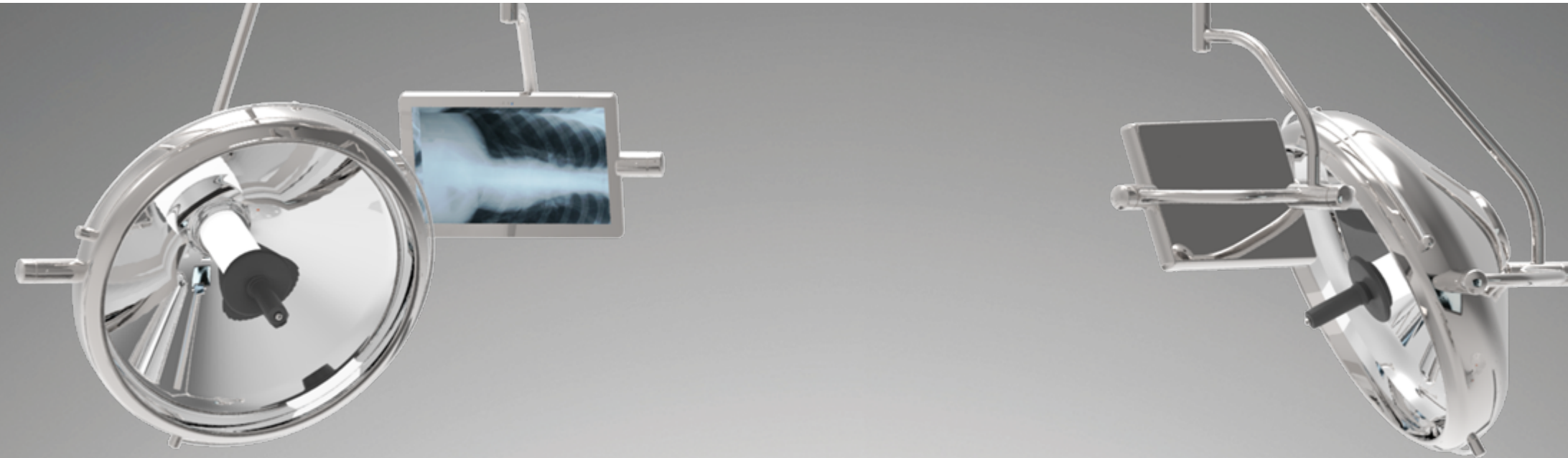


for surgeon, assistant and patient.



# SURGEON'S Chairs

Innovative. Ergonomic. Multifunctional.  
Our surgical chairs for eye and  
microsurgery



10 - 17

## surgiForce

High tech, precision and  
navigation to satisfy  
the most discriminating  
standards

*premium line*

Choice of two seating  
systems - to address  
your personal needs



18 - 25

## surgiForce light

„Basic“ premium model  
Gas spring mechanism for  
ultra-easy handling

*premium line*

Choice of two seating  
systems - to address  
your personal needs



26 - 29

## surgiTrend

„Trend“ performance  
model  
Modern. Easy to maneuver.  
Saves space.

*performance line*

Choice of two seating  
systems - to address  
your personal needs



30 - 33

## surgiLine

„Line“ performance model  
Rugged. Uncluttered  
design.

*performance line*

Choice of two seating  
systems - to address  
your personal needs



# surgiForce

surgiForce – that is high tech designed to the highest standards. The ultimate surgeon stool for microsurgery. Sophisticated engineering, design and function down to the smallest detail. Amazing range of armrest adjusting functions: Turn it, tilt it, rotate it, extend it - to support each of the surgeon's arm movements with the greatest of ease! Ultra-precise navigation within the operating field, sterile operation, and a comfortable, non-fatiguing work environment - for a work flow worthy being rated „Premium de luxe“.

Order No.: 260 00 004 with comfort seat

Order No.: 260 00 002 with dynamic seat (illustration)



# surgiForce

High tech designed to the highest standards  
Serial high precision



premium line

premium line

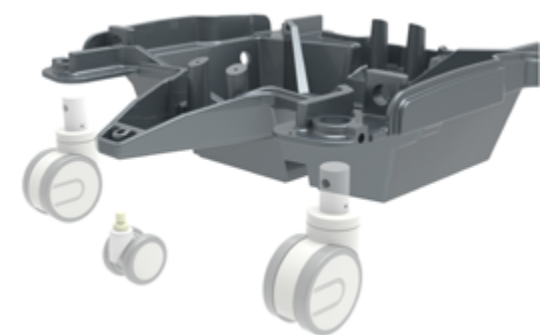
surgiForce

Ergonomically shaped push handles for nimble maneuvering and positioning within the patients' environment.

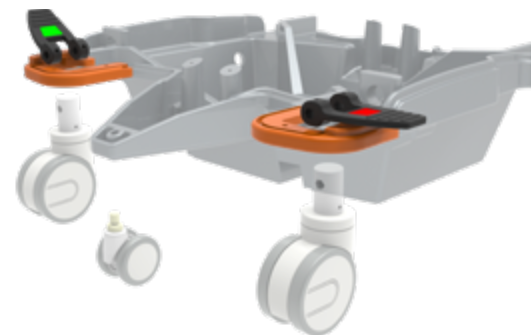


## Chassis

The drive mechanism's base is made of cast aluminum. This means maximum stability and longevity and no-limits mobility. And the material and workmanship meet the strictest sanitary requirements.



The easy-to-reach and easy-to-use central brake acts on all four double castors to keep theurgiForce and safely and reliably in the desired position.



surgiForce's five high-grade double castors are smooth-running and rotated by 360 degrees. This means no-limits mobility, especially in confined operating room spaces.

surgiForce's central front castor in particular gives extra stability to keep the treating surgeons safely in place whenever they shift their bodyweight forward.



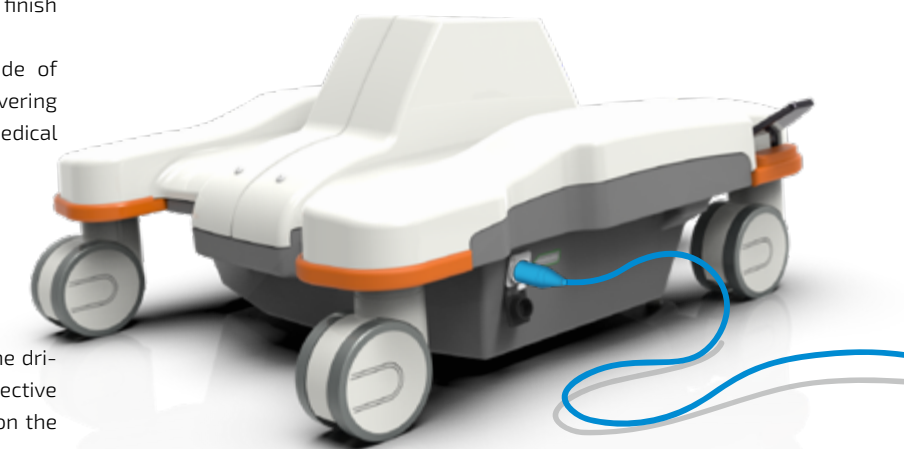
Intuitive footswitch operation of the multi-function unit for powered seat height and armrest adjustment. Activation is signaled by acoustic and visual signals.

- black pedal - seat-height adjustment
- grey pedal - armrest-height adjustment



surgiForce's high-shine plastic cover panels with their scratch-resistant and impact-modified surface finish are extremely hygienic and easy to disinfect. Abrasion-resistant corner guards (orange) made of synthetic rubber take the stress out of maneuveringurgiForce even at close quarters to other medical equipment.

The charger-battery-control unit integrated in the drive mechanism permits off-grid operation at protective low voltage. Splash-protected charging socket on the bottom of the drive mechanism.

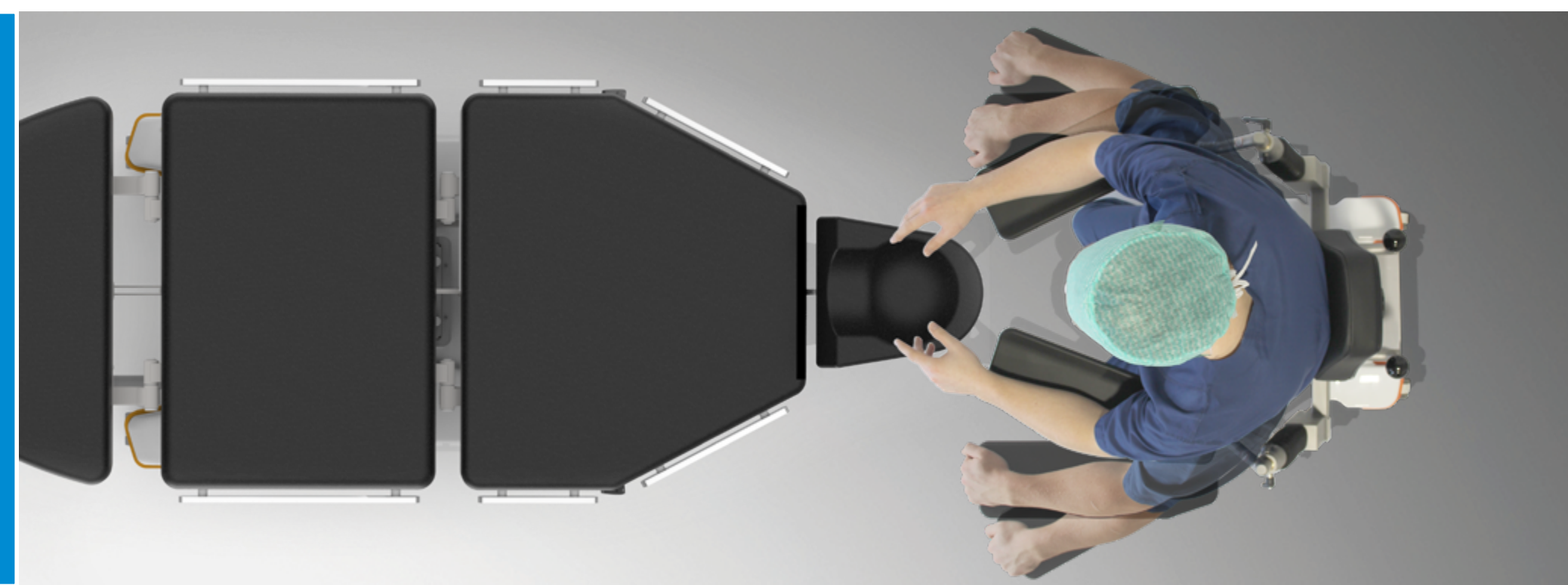




High-precision, maintenance-free ball joint for full 360-degree range armrest movements around all axes. Ultra-lightweight guide system for fast, efficient and vibration-proof adjustment of individual underarm positions.



Angled armrest support for increased freedom of armrest movement around the lateral axis.



## Armrests

Need to readjusturgiForce while maintaining sterile conditions?

Not a problem! In addition to the foot switch, surgiForce features so-called „one-hand triggers“ underneath the armrests. Lift them briefly to adjust the height!



To activate the multi-function unit, tap it with your foot. It allows the effortless powered height adjustments of the seats and armrests, independently of each other.



Turning, tilting, rotating: The armrests have been designed for fast and unfussy 3D movements.

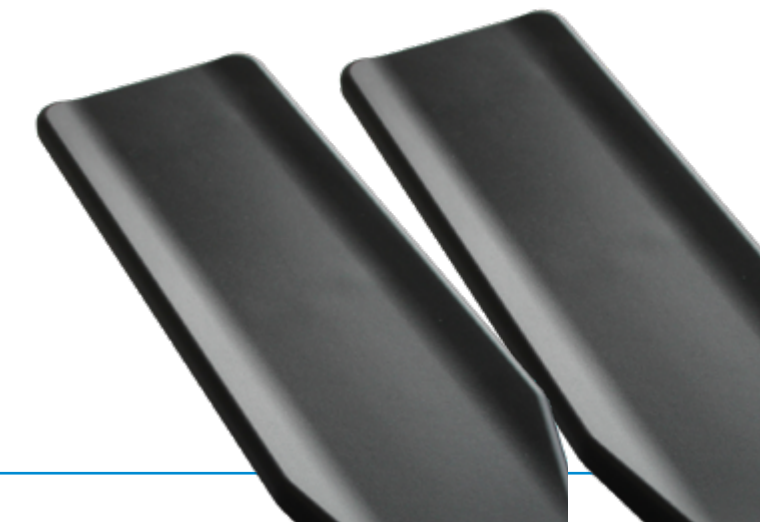


To give you that extra margin of flexibility: Armrests with linear guides!

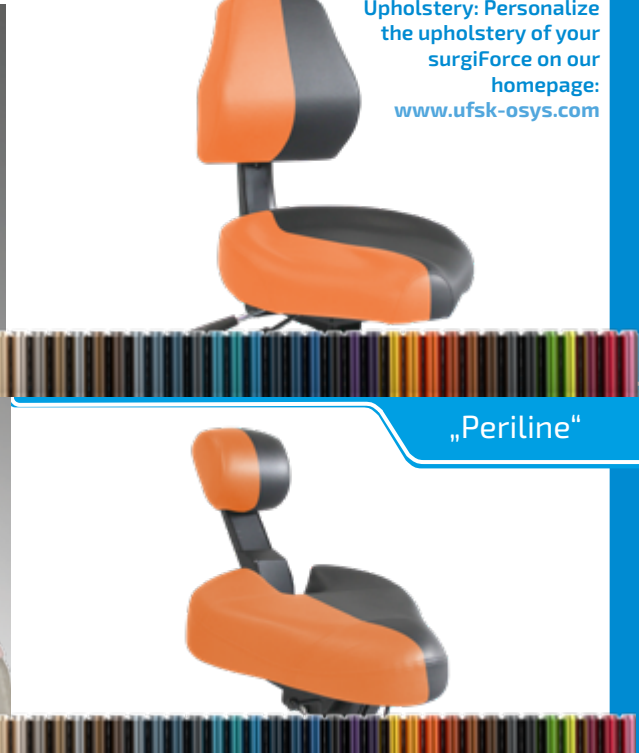
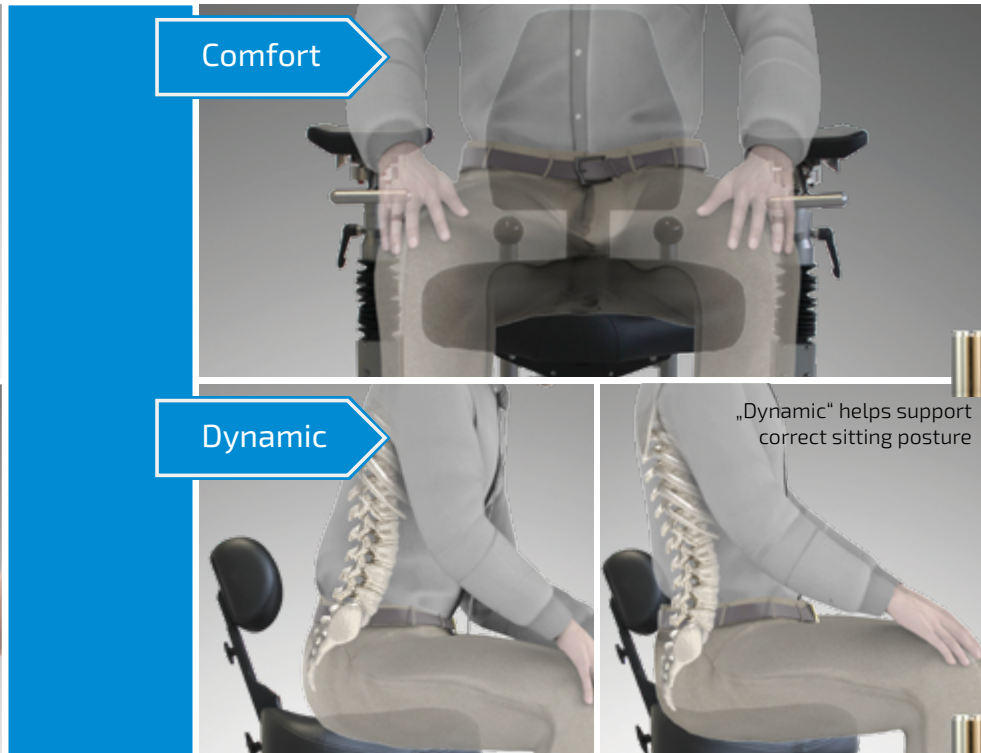
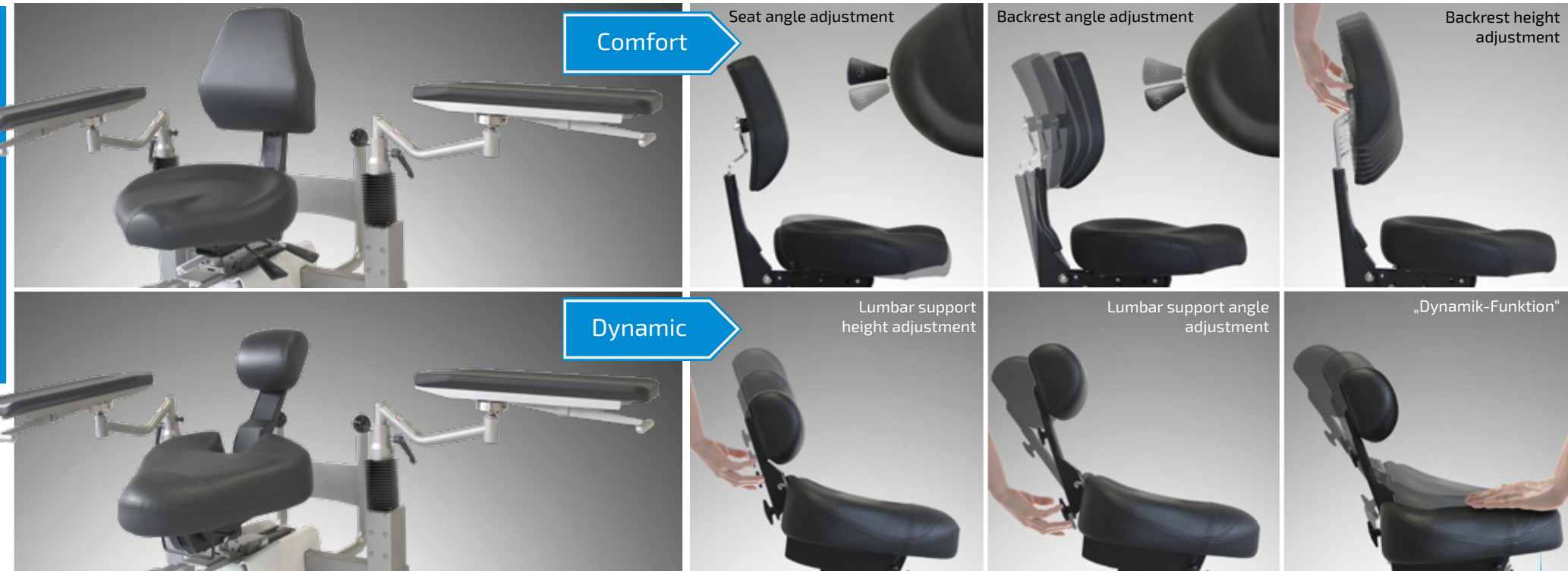
Applying pressure with your forearm will make the arms „glide“ effortlessly in longitudinal direction while letting go will stop them by self-locking mechanism - available as an option.



Armrests made of molded PUR foam - Pleasant to the touch, no slick leatherette cover - for guaranteed secure hold. Suitable for disinfectants.







Upholstery: Personalize the upholstery of yoururgiForce on our homepage: [www.ufsk-osys.com](http://www.ufsk-osys.com)

### SPECIFICATIONS

Lifting Column  
 - Lifting height of the seat 200 mm  
 - Lifting height of the armrests 130 mm  
 - Electromotive adjustment via the foot control elements

Dimensions  
 - w x l x h max. (incl. armrests) 752 x 861 x 1150 mm

Chassis  
 - Wheels ø 100 mm  
 - 5. Wheel ø 65 mm  
 - Central brake acting on all four wheels  
 - Emergency stop button

Battery unit  
 - Lead-gel battery, 2 ea. 12 V, 2,9 A  
 - Universal battery charger:  
 - Input 100 - 240 V  
 - Output 24 V

Seating system: Comfort (Dynamic)  
 - Min. sitting height 590 mm (620 mm)  
 - Max. sitting height 790 mm (820 mm)  
 - Seat position adjustment (forward/back) 120 mm  
 - Seat/Back adjusting -3°/+3°/-5°/+5°(-6°/+3°)

- Upholstery Periline (Stamskin top)  
 - Standard color black (black)

Weight 74 kg  
 Max. Load 150 kg

Subject to technical modifications.

### Seating system comfort

The „Comfort“ seating system can be individually adjusted for every surgeon to ensure correct and back-friendly sitting and working postures for every staff member. A sliding mechanism underneath the seat allows the user to adjust the seat surface and seat depth.



### Accessories

Footswitch plate adapter  
 Order No.: 331 70 000



Arm rest pair:  
 neurosurgery (angular)  
 Order No.: 335 11 010



Arm rest pair -  
 linear guide  
 Order No.: 335 11 008

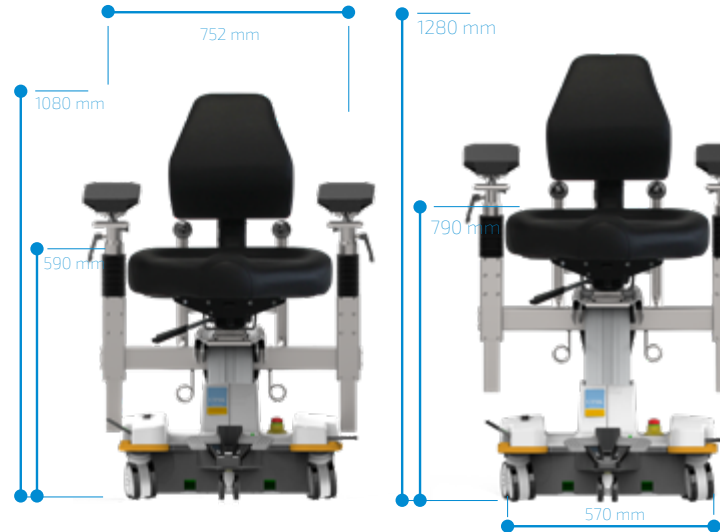


### Seating system dynamic

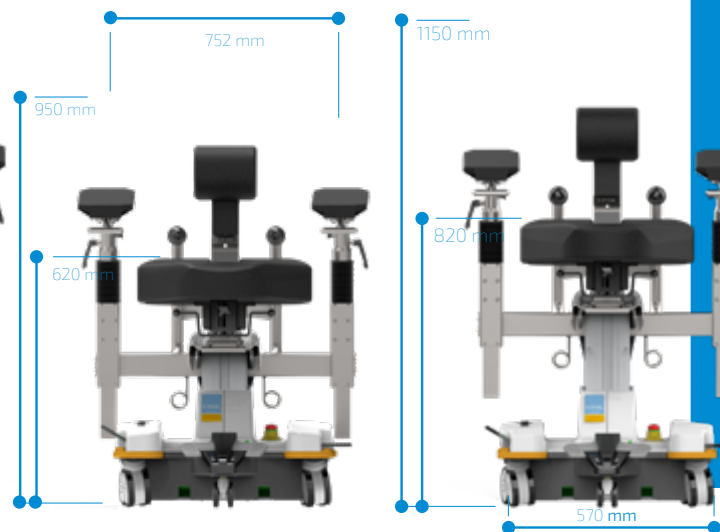
The „Dynamic“ seating system has a lumbar support which is activated automatically by the surgeon's bodyweight. The intensity of ergonomic support can be adjusted underneath the seat.



### Comfort / Dimensions:



### Dynamic / Dimensions:





**surgiForce**  
light

surgiForce light - extraordinary technology and materials in typical surgiForce premium design, in combination with other control elements:

A clearly structured twin footswitch plus manually operated gas spring mechanisms in the arm supports - for surgeons wishing to precision-adjust their arm position with minimum fuss.

Order No.: 260 00 006 with comfort seat

Order No.: 260 00 005 with dynamic seat (illustration)



# surgiForce light

Join the premium class



premium line

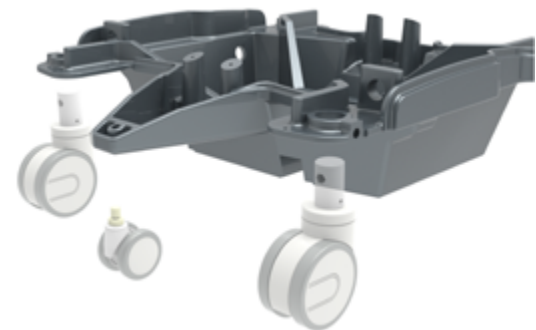
premium line

surgiForce light

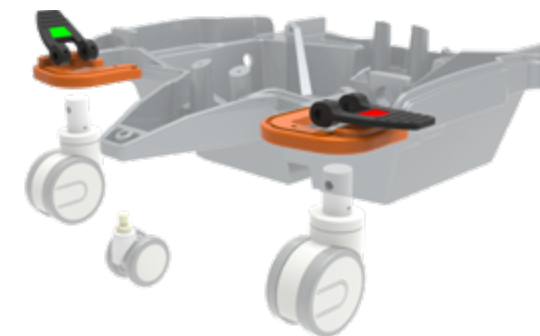


## Chassis

The drive mechanism's base is made of cast aluminum. This means maximum stability and longevity and no-limits mobility. And the material and workmanship meet the strictest sanitary requirements.



The easy-to-reach and easy-to-use central brake acts on all four double castors to keep the surgiForce and safely and reliably in the desired position.



surgiForce's five high-grade double castors are smooth-running and rotated by 360 degrees. This means no-limits mobility, especially in confined operating room spaces.

surgiForce's central front castor in particular gives extra stability to keep the treating surgeons safely in place whenever they shift their bodyweight forward.



User-friendly polyamide foot switches for seat height adjustment. Keeps the hands sterile.



surgiForce's light mirror-finish plastic cover panels with their scratch-resistant and impact-modified surface finish are extremely hygienic and easy to disinfect. Abrasion-resistant corner guards (orange) made of synthetic rubber take the stress out of maneuvering surgiForce even at close quarters to other medical equipment.

The charger-battery-control unit integrated in the drive mechanism permits off-grid operation at protective low voltage. Splash-protected charging socket on the bottom of the drive mechanism.





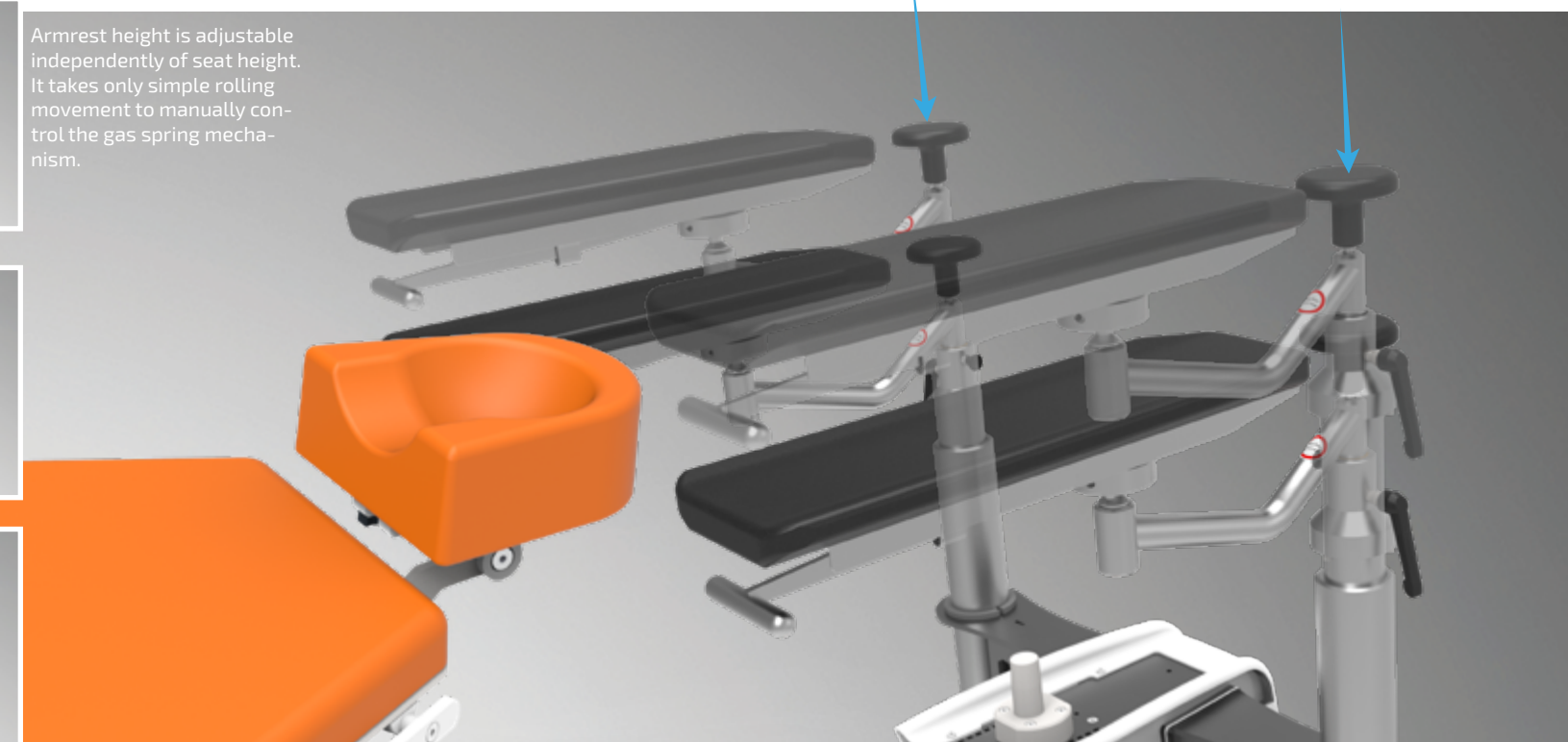
High-precision, maintenance-free ball joint for full 360-degree range armrest movements around all axes. Ultra-lightweight guide system for fast, efficient and vibration-proof adjustment of individual underarm positions.



To rotate the armrests around the lateral axis of the ball joint



Armrest height is adjustable independently of seat height. It takes only simple rolling movement to manually control the gas spring mechanism.



## Armrests

Need to readjust surgiForce while maintaining sterile conditions? Not a problem! In addition to the foot switch, surgiForce features so-called „one-hand triggers“ underneath the armrests. Lift them briefly to adjust the height! Armrests with unique gas-spring mechanism.



Timeless footswitch design for UP/DOWN seat height adjustment with non-slip polyamide touch surfaces. Easy-to-reach brake levers on either side of the driving mechanism for centralized braking / unfettered maneuvering.



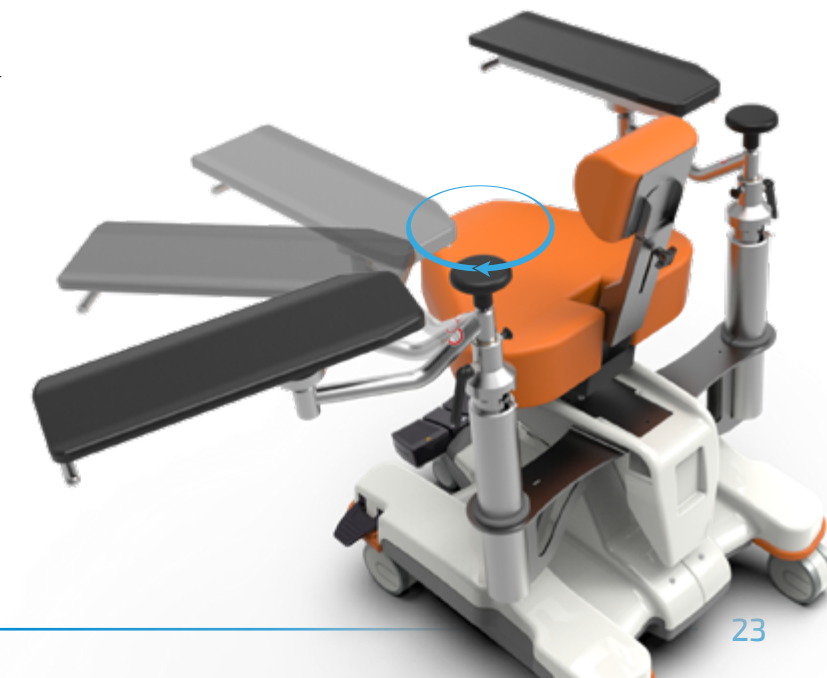
To give you that extra margin of flexibility: Armrests with linear guides! Applying pressure with your forearm will make the arms „glide“ effortlessly in longitudinal direction while letting go will stop them by self-locking mechanism - available as an option.



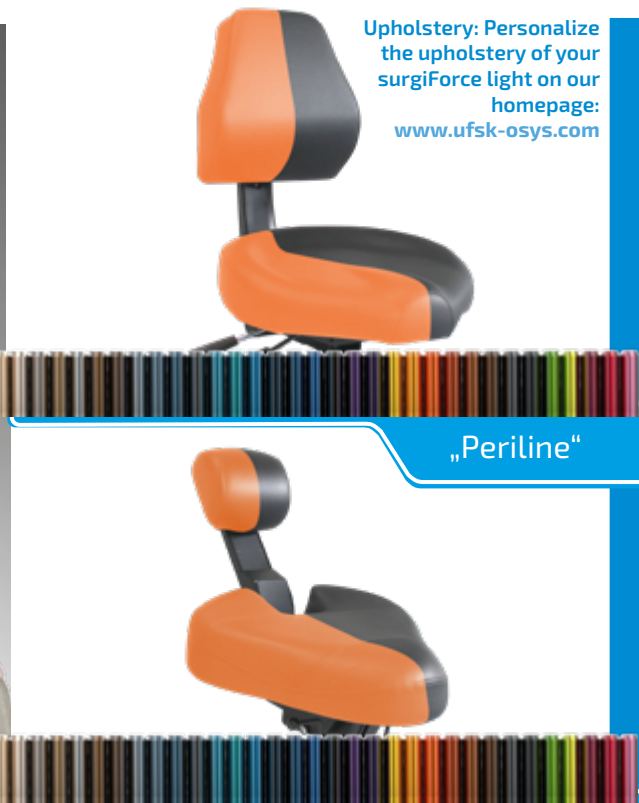
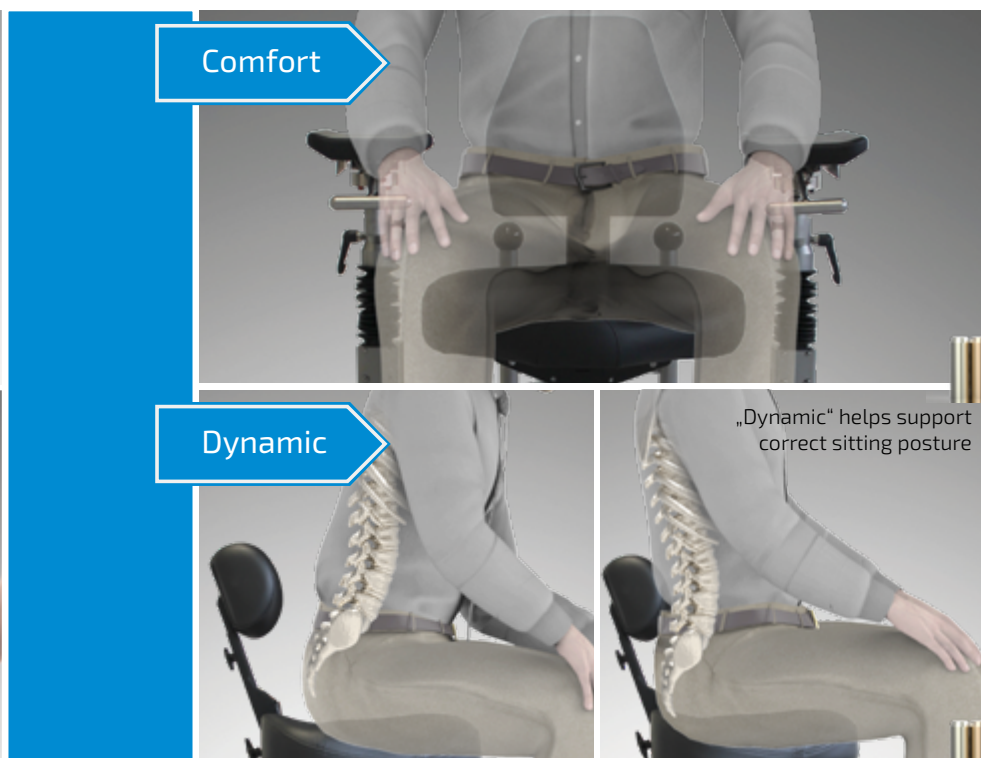
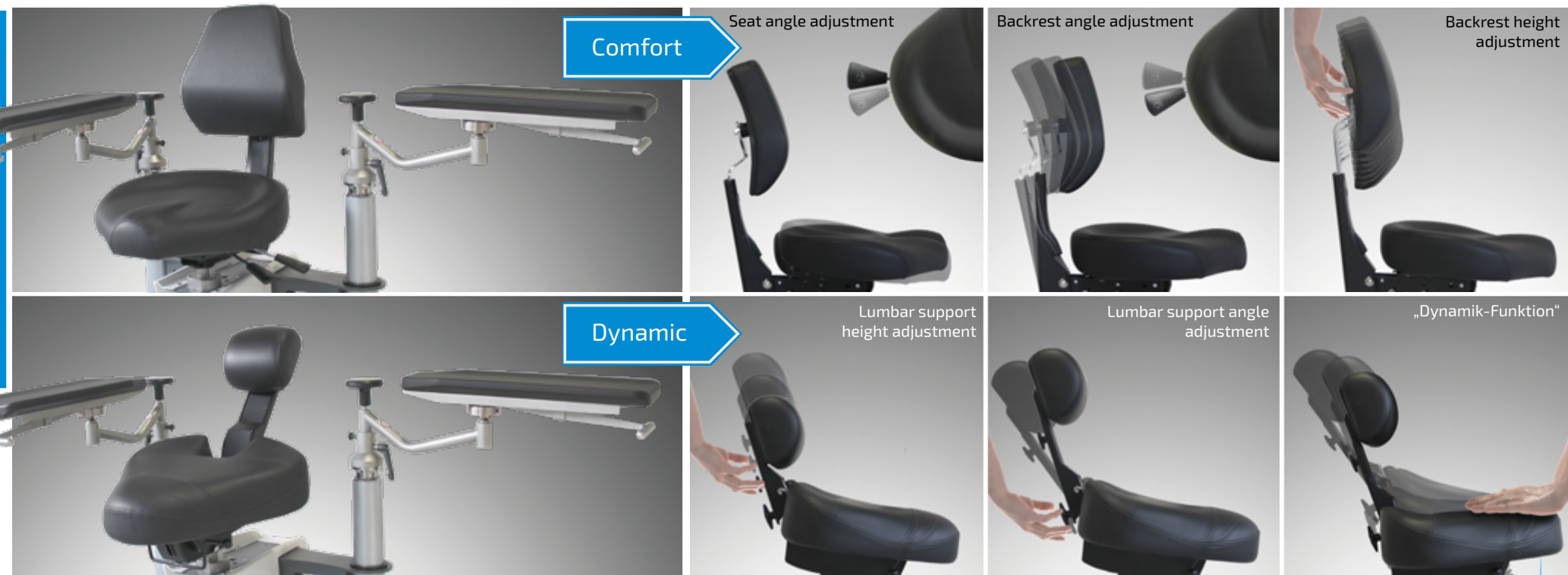
Turning, tilting, rotating: The armrests have been designed for fast and unfussy 3D movements.

Armrests made of molded PUR foam - Pleasant to the touch, no slick leatherette cover - for guaranteed secure hold. Suitable for disinfectants.

Illustration: „surgiForce Light“ with Dynamic seating system, with personalized upholstery design.







Upholstery: Personalize the upholstery of yoururgiForce light on our homepage: [www.ufsk-osys.com](http://www.ufsk-osys.com)

### SPECIFICATIONS

**Lifting Column**  
 - Lifting height of the seat 200 mm  
 - Lifting height of the armrests 130 mm  
 - Electromotive adjustment via the foot control elements

**Dimensions**  
 - w x l x h max. (incl. armrests) 700 x 800 x 1160 mm

**Chassis**  
 - Wheels ø 100 mm  
 - 5. Wheel ø 65 mm  
 - Central brake acting on all four wheels  
 - Emergency stop button

**Battery unit**  
 - Lead-gel battery, 2 ea. 12 V, 2,9 A  
 - Universal battery charger:  
 - Input 100 – 240 V  
 - Output 24 V

**Seating system: Comfort (Dynamic)**  
 - Min. sitting height 600 mm (620 mm)  
 - Max. sitting height 800 mm (820 mm)  
 - Seat/Back adjusting -3°/+3°/-5°/+5°(-6°/+3°)

**Upholstery**  
 - Standard color Periline (Stamskin top) black (black)

**Weight**  
 Max. Load 71 kg 150 kg

Subject to technical modifications.

### Seating system comfort

The „Comfort“ seating system can be individually adjusted for every surgeon to ensure correct and back-friendly sitting and working postures for every staff member. A sliding mechanism underneath the seat allows the user to adjust the seat surface and seat depth.

### Accessories

Footswitch plate adapter  
 Order No.: 331 70 000



Seat slide  
 Order No.: 335 11 013



Arm rest pair - linear guide  
 Order No.: 335 11 008



### Seating system dynamic

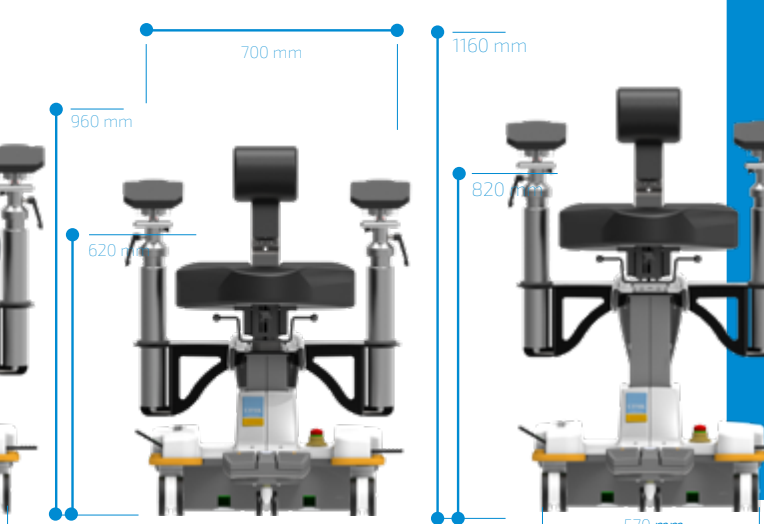
The „Dynamic“ seating system has a lumbar support which is activated automatically by the surgeon's bodyweight. The intensity of ergonomic support can be adjusted underneath the seat.



### Comfort / Dimensions:



### Dynamic / Dimensions:





## *surgiTrend*

surgiTrend - for back protection and maximum work flexibility in confined spaces. Sophisticated, space-saving drive mechanism with reduced size for ample foot space combines tilt stability with easy and smooth maneuvering.

Outstanding sitting comfort and a wide range of adjusting functions allow every surgeon to find his or her personal best and healthiest working position for any work scenario. Available in two seating system types.

Order No.: 220 00 012 with comfort seat (illustration)

Order No.: 220 00 010 with dynamic seat



# surgiTrend

The high-comfort surgeon stool  
Modern. Easy to maneuver.  
Space-saving.



performance line

performance line

Two seating systems - take your pick to prevent back strain and promote healthy sitting / surgiTrend

Comfort

Dynamic

„Periline“

„Stamskin top“

## Specifications

Lifting Column  
- Drive 3.000 N IPX mm  
- Lifting height 200 mm

Chassis  
- w x l 470 x 550 mm  
- Wheels ø 100 mm  
- 5. Wheel ø 65 mm  
- Central brake acting on all four wheels  
- Emergency stop button

Battery unit  
- Battery box with 2 batteries (lead-gel) 2 x 12 V,7,2 Ah  
  
(pollution free, maintenance-free, cadmium-free)

- Universal battery charger:  
- Input 100 – 240 V  
- Output 24 V

Seating system: Comfort (Dynamic)  
- Min. sitting height 540 mm (600 mm)  
- Max. sitting height 740 mm (800 mm)  
- Seat/back adjusting -3°/+3°/-5°/+5°(-6°/+3°)

- Upholstery Periline (Stamskin top)  
- Standard color black (black)

Weight 45 kg  
Max. Load 150 kg

Subject to technical modifications.

## Chassis

- 4 high-quality, smooth-running double castors
- 5.th wheel for added resistance to tipping
- Optimized foot space
- Central braking system effective on 4 wheels
- Integrated foot keypad panel for seat-height adjustment
- Power supply-independent battery box with emergency stop button

## Seating system variants

- Two seating system types: „Comfort“ or „Dynamic“
- Versatile, ergonomic, adjustable - (see page 26)
- Upholstery in standard color black, optional available in a wide variety of colors

## Accessories

Backup battery  
Order No.: 304 70 000



Footswitch plate adapter  
Order No.: 335 11 011



Arm rest pair - one-hand release  
Order No.: 335 11 004



Arm rest pair - linear guide  
Order No.: 335 11 006



## Armrests

- Stable, ergonomically shaped armrests with ample support surface (350 mm x 120 mm)
- Height-adjustable and equipped with a ball joint for 360-degree rotation
- Designed for personalized adjustment to the surgeon
- Optional with linear guide and one-hand release



## Comfort / Dimensions:



## Dynamic / Dimensions:





*surgiLine*

surgiLine is the quintessential timeless surgeon stool for microsurgery – a tried and tested classic and a reliable partner in the operating room. It has a rugged steel frame yet is easy to maneuver thanks to its high-grade double castors. The seat and backrest are height-adjustable and promote a healthy sitting posture thanks to surgiLine's special lumbar support. The armrests can be individually adjusted for each surgeon.

Order No.: 220 00 008 with formed seat (illustration)

Order No.: 220 00 013 with comfort seat



# surgiLine

The operating room classic.  
Rugged. Unfussy. Uncomplicated.



performance line

performance line

Two seating systems - take your pick to prevent back strain and promote healthy sitting / surgiLine

Formed seat



Comfort



„Tundra skai“



„Periline“

## Specifications

Lifting Column  
- Drive 3.000 N IPX4 mm  
- Lifting height 200 mm

Chassis  
- w x l 470 x 600 mm  
- Wheels ø 100 mm  
- Central brake acting on all four wheels  
- Emergency stop button

Battery unit  
- Battery box with 2 batteries (lead-gel) 2 x 12 V, 7,2 Ah  
(pollution free, maintenance-free, cadmium-free)

- Universal battery charger:  
- Input 100 - 240 V  
- Output 24 V

Seating system: Formed seat (Comfort)  
- Min. sitting height 560 mm (540 mm)  
- Max. sitting height 760 mm (740 mm)  
- Seat adjusting +6°/-9°(-3°/+3°)  
- Back adjusting +4°/-18°(-5°/+5°)

- Upholstery Tundra skai (Periline) anthracite (black)

Weight 45 kg  
Max. Load 150 kg

Subject to technical modifications.

## Chassis

- Powder-coated tubular steel frame with sanitary, scratch-resistant high-sheen plastic cover panels
- Central braking system effective on 4 wheels
- Integrated foot keypad panel for seat-height adjustment
- Power supply-independent battery box with emergency stop button

## Seating system variants

- Two seating system types: „Comfort“ or „Formed seat“
- Ergonomic, inclinable seats for optimized weight distribution
- Height-adjustable, swivel-mounted backrest with lumbar support
- Formed seat with extra-large support surface for added comfort and optimized weight distribution
- Upholstery in standard color anthracite, optional available in a wide variety of colors

## Accessories

Backup battery  
Art.-Nr.: 304 70 000



Footswitch plate adapter  
Art.-Nr.: 335 11 014



Arm rest pair - one-hand release  
Order No.: 335 11 004



Arm rest pair - linear guide  
Order No.: 335 11 006



## Armrests

- Stable, ergonomically shaped armrests with ample support surface (350 mm x 120 mm)
- Height-adjustable and equipped with a ball joint for 360-degree rotation
- Designed for personalized adjustment to the surgeon
- Optional with linear guide and one-hand release



## Formed seat / Dimensions:



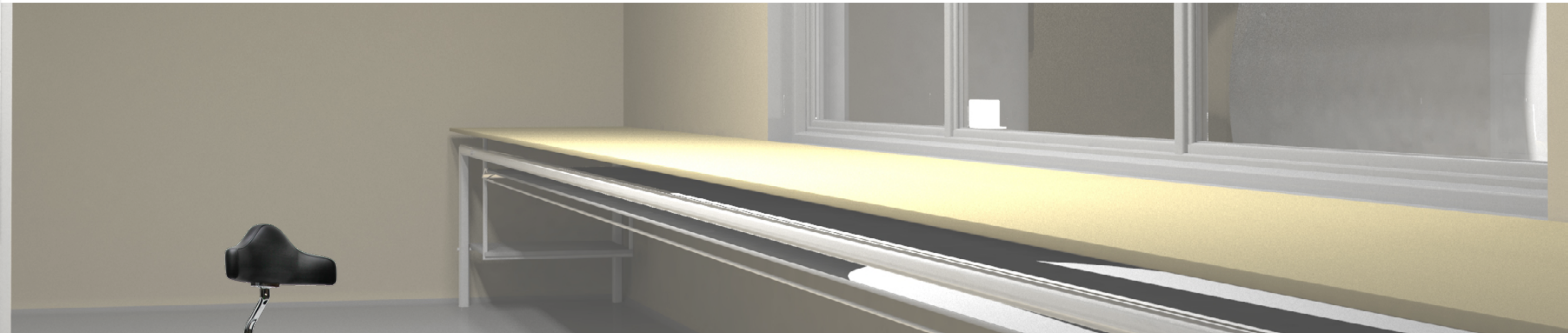
## Comfort / Dimensions:





# Assistant's Stools

An asset to the team.  
Our operating room assistant for



36 - 37

## *assistTrend*

The ergonomic  
assistant stool  
The innovation for a  
healthy back

*performance class*



38 - 39

## *assistPro*

The high-comfort  
assistant stool

*efficiency class*



40 - 41

## *easyPro*

The comfortable  
assistant stool

*efficiency class*



42 - 43

## *assistLine*

The slimline saddle stool  
for OR's and labs  
Small, stable, flexible

*functional class*



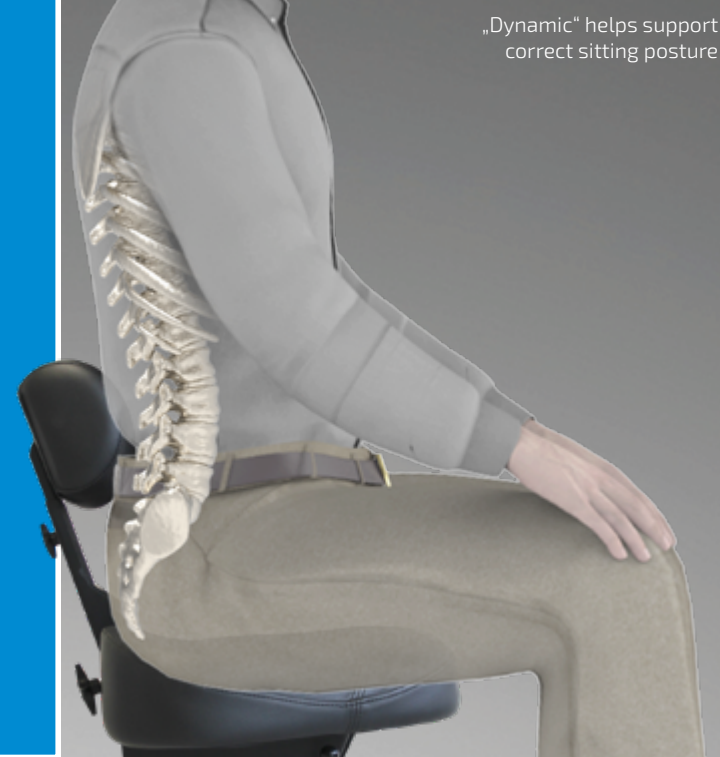
# assistTrend

The ergonomic assistant stool  
The innovation for a healthy back

Order No.: 250 00 002



„Dynamic“ helps support correct sitting posture



## Specifications

Lifting Column	
- Height adjustment	570-770 mm
- For body height of	1,75m - 1,95m
Chassis	
- Five legged chassis	ø 585 mm
- Wheels	ø 65 mm
Seat/backrest	
- Min. sitting height	570 mm
- Max. sitting height	770 mm
- Seat/back adjusting	-6°/+3°
Weight	
Max. Load	130 kg
Upholstery	
Standard color	Stamskin top black

### Chassis

- Excellent handling characteristics thanks to smooth-running double castors
- Optionally available with braking double castors
- Supports loads up to 130 kilograms

### Accessories

Double rimmed castor, electrically conductive, 50 mm  
Order No.: 335 10 039



Double rimmed castor with braking function, 65 mm  
Order No.: 33 51 0040



Arm rest pair incl. traverse  
Order No.: 330 00 000



### Seating system dynamic

The „Dynamic“ seating system has a lumbar support which is activated automatically by the surgeon's bodyweight. The intensity of ergonomic support can be adjusted underneath the seat.



### Flexibility

- Sterile, comfortable height adjustment via foot-triggered gas pressure spring
- Flexible height adjustment from 57 to 77 cm
- Reduces neck and back tension caused by prolonged sitting - optionally available with arm supports
- Helps maintain sterile conditions



Subject to technical modifications.

„Stamskin top“ - optional available in a wide variety of colors





# assistPro

The high-comfort assistant stool

Order No.: 240 00 005 and 240 00 009

assistPro F



assistPro H



## Specifications

Lifting column - Height adjustment	520 - 715 mm
Chassis - Five legged chassis - Wheels	ø 585 mm ø 65 mm
Comfort seat - Seat adjustment - Height adjustment	385 x 425 x 540 mm +6°/+18° +4°/-9°
Weight	
assist Pro F	12 kg
assist Pro H	11 kg
Max. Load	130 kg
Upholstery Standard color	Periline black

Subject to technical modifications.

Upholstery in standard color black  
(Color table Periline)



## Chassis

- High-grade 5-arm aluminum pedestal
- Excellent handling characteristics thanks to smooth-running double castors
- Optionally available with braking double castors
- Supports loads up to 130 kilograms

## Seating system

- Ergonomically shaped seat and backrest
- Height- and angle-adjustable lumbar support
- Supports a correct, back-friendly sitting posture

## Accessories

Double rimmed castor, electrically conductive, 50 mm  
Order No.: 335 10 039



Double rimmed castor with braking function, 65 mm  
Order No.: 335 10 040



Arm rest pair incl. traverse  
Order No.: 335 10 038



Elektrically conductive upholstery  
Order No.: 303 70 223



## Flexibility

- Sterile, comfortable height adjustment via foot-triggered gas pressure spring (assistPro F)
- Classic seat height adjustment via hand trigger underneath the seat (assistPro H)
- Flexible height adjustment from 52 to 71.5 cm
- Reduces neck and back tension caused by prolonged sitting - optionally available with arm supports (assistPro F)

## „comfort“- seating system

- Durable, easy-care seat cover made of medical-grade artificial leather to meet the highest OR requirements
- Optional with electrically conductive upholstery
- Upholstery in standard color black, optional available in a wide variety of colors



# easyPro

The comfortable assistant stool.  
our customer favourite, always in use.

Order No.: 240 00 010, 240 00 006, 240 00 013

easyPro „F“



easyPro „H“



easyPro „R“



## Specifications

Lifting column  
- Height adjustment  
easy Pro H + easy Pro F  
easy Pro R

500 - 700 mm  
520 - 700 mm

Chassis  
- Five legged chassis  
- Wheels

ø 585 mm  
ø 65 mm

Seat adjustment  
easy Pro H + easy Pro F / seat

385 x 425 x 100 mm  
12°

Weight

9 kg

Max. Load

130 kg

Upholstery  
Standard color

Periline  
black

Subject to technical modifications.

Upholstery in standard color  
black (Color table Periline)

## Chassis

- High-grade 5-arm aluminum pedestal
- Excellent handling characteristics thanks to smooth-running double castors
- Optionally available with braking double castors
- Supports loads up to 130 kilograms

## Seating system

- Ergonomically shaped, very comfortable, large-surface seat element
- Comfort upholstery
- Durable, easy-care seat cover made of medical-grade artificial leather to meet the highest OR requirements

## Accessories

Double rimmed castor, electrically conductive, 50 mm  
Order No.: 335 10 039



Double rimmed castor with braking function, 65 mm  
Order No.: 335 10 040



Elektrically conductive upholstery  
Order No.: 303 70 223



## Flexibility

- Sterile, comfortable height adjustment via foot-triggered gas pressure spring (easyPro F)
- Classic seat height adjustment via hand trigger underneath the seat (easyPro H)
- Flexible height adjustment from 50 to 70 cm (easy Pro F and easyPro H) and 52 to 70 cm (easyPro R)

## „comfort“- seating system

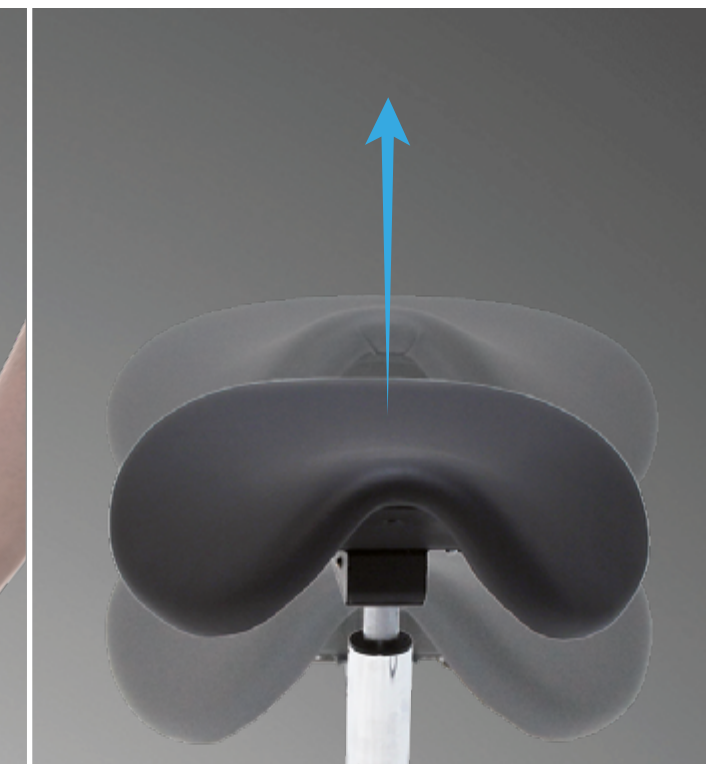
- Durable, easy-care seat cover made of medical-grade artificial leather to meet the highest OR requirements
- Optional with electrically conductive upholstery
- Upholstery in standard color black, optional available in a wide variety of colors



# assistLine

Anatomical saddle stool for OR's and labs.  
Small. Stable. Flexible.

Order No.: 240 00 015



## Specifications

Lifting column - Hand operated	190 mm
Chassis - Five legged chassis - Wheels	ø 585 mm ø 65 mm
Saddle seat - Seat adjustment	350 x 425 x 180 mm +2°/+16°
Weight	7,5 kg
Max. Load	130 kg
Upholstery Standard color	Tundra skai anthracite

Subject to technical modifications.

## Chassis

- High-grade 5-arm aluminum pedestal
- Excellent handling characteristics thanks to smooth-running double castors
- Optionally available with braking double castors
- Supports loads up to 130 kilograms

## Seating system

- Ergonomic saddle seat
- Allows the assistants to sit in comfort
- Prevents tension pain and fatigue
- Supports blood circulation
- Durable, easy-care seat cover made of medical-grade artificial leather to meet the highest OR requirements

## Accessories

Double rimmed castor, electrically conductive, 50 mm  
Order No.: 335 10 039



Double rimmed castor with braking function, 65 mm  
Order No.: 335 10 040



## Flexibility

- Classic seat height adjustment via hand trigger underneath the seat
- Flexible height adjustment from 54.5 cm to 73.5 cm
- Small size for flexible use in OR's and labs



Seat upholstery in standard color anthracite (Tundra Skai) optional available in a wide variety of colors



# CONTACT US

UFSK - International OSYS GmbH  
Kirchhoffstraße 1  
93055 Regensburg  
Germany

phone: +49(0)941 78862 -15  
fax: +49(0)941 78862 -35  
mail: [info@ufsk-osys.com](mailto:info@ufsk-osys.com)  
web: [ufsk-osys.com](http://ufsk-osys.com)



  
MADE IN GERMANY